



HYDRAULIC ADAPTORS

2013 CATALOGUE

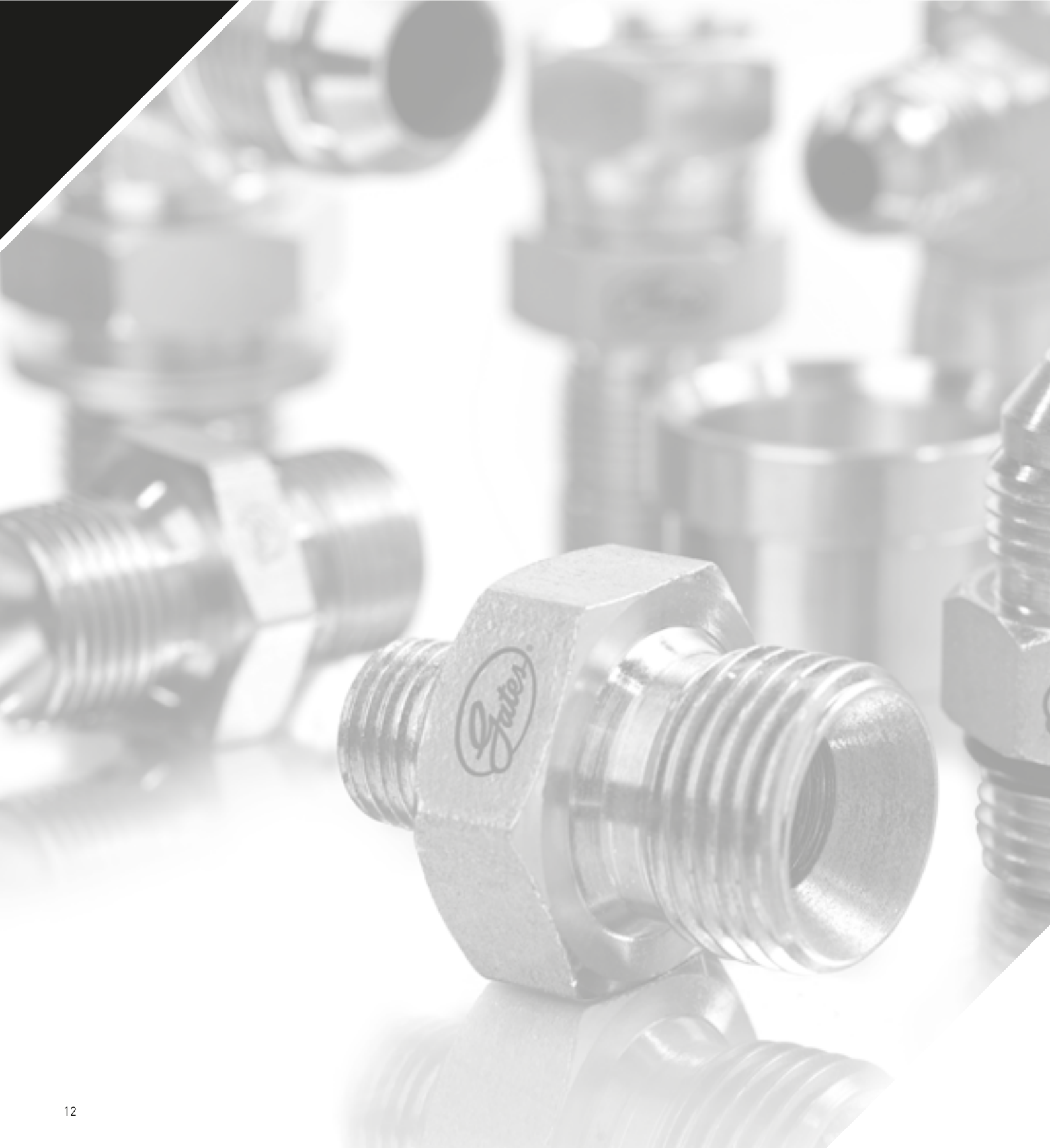
TABLE OF CONTENTS

THE WORLD OF GATES	2		
People choose Gates for good reasons	4		
A strong global partner always close to you	6		
Protecting health – a Gates commitment to every customer	8		
A service attitude	10		
THE WORLD OF ADAPTORS	12		
Gates hydraulic adaptor range gives you quality and reliability	14		
Explanations	16		
BSP			
BSP MBSPP-MBSPP EQUAL	20		
BSP MBSPP-MBSPP UNEQUAL	21		
BSP MBSPP-MBSPWD	22		
BSP MBSPP-MBSPBKH	23		
BSP MBSPP-MBSPT	24		
BSP MBSPP-MB	25		
BSP MBSPP-MM	26		
BSP MBSPP-MP	27		
BSP MBSPP-FBSPPX	28		
BSP FBSPPX-FBSPPX	29		
BSP FBSPP-FBSPP	30		
BSP MBSPP-MBSPP90BL	30		
BSP MBSPP-FBSPPX45BL	31		
BSP MBSPP-FBSPPX90BL	31		
BSP FBSPPX-FBSPPX90BL	32		
BSP MBSPP-FBSPPX90SWT	32		
BSP FBSPPX-FBSPPX90SWT	33		
BSP MBSPP-MBSPP-MBSPP	33		
BSP MBSPP-FBSPPX-MBSPP	34		
BSP MBSPP-MBSPP-FBSPPX	34		
BSP FBSPPX-FBSPPX-FBSPPX	35		
BSP MBSPP-FBSPPX-FBSPPX	35		
BSP FBSPPX-FBSPPX-MBSPP	36		
BSP MBSPP PLUG	36		
BSP FBSPPX CAP	37		
		JIC	
		JIC MJ-MMOR	40
		JIC MJ-MMCOR	40
		JIC MJ-MMAOR90	41
		JIC MJ-MMACOR90	41
		JIC MJ-MBSPPCOR	42
		JIC MJ-MBSPWD	43
		JIC MJ-MBSPACOR90	44
		JIC MJ-MBSPACOR45	45
		JIC MJ-MJ-MBSPACOR	46
		JIC MJ-MBSPACOR-MJ	46
		JIC MJ-MB	47
		JIC MJ-MBA90	48
		JIC MJ-MBA45	49
		JIC MJ-MJ-MBA	50
		JIC MJ-MBA-MJ	50
		JIC MJ-MJ	51
		JIC MJ-MJ90	52
		JIC MJ-MJ-MJ	53
		JIC MJ-MJBKHD	54
		JIC MJ-MJBKHD90	55
		JIC MJ-MJBKHD45	55
		JIC MJ-FJX90	56
		JIC MJ-FJX45	56
		JIC MJ-MJ-FJX	57
		JIC MJ-FJX-MJ	57
		JIC FJX-MBSPCOR	58
		JIC MJ-MP	59
		JIC MJ-MP90	60
		JIC FJ CAP	61
		JIC MJ PLUG	61
		JIC FJ NUT	62
		JIC TS METRIC	62
		JIC TS IMPERIAL	63
		JIC FJX-MJ	63
		ENGINEERING AND TECHNICAL DATA	64
		Adaptor thread identification	66
		Thread size identification guide	68

HYDRAULIC ADAPTORS



THE WORLD OF ADAPTORS





HYDRAULIC ADAPTORS

GATES HYDRAULIC ADAPTOR RANGE GIVES YOU QUALITY AND RELIABILITY



Gates is world famous for its premium hydraulic hoses, couplings and equipment that are designed, engineered and manufactured to stand up to all industry requirements, as well as for its value added services that result in optimal equipment performance, exceptional reliability, and long service life.

But we don't stop there. With Gates new hydraulic adaptor range, we now have everything in place to be your preferred one-stop-shop!

TRUSTWORTHY SOLUTIONS FROM PORT TO PORT

Adaptors are needed to complete hydraulic circuits which perform different functions:

- Thread size adaptors – to reduce or expand the existing thread
- Thread conversion adaptors – to change from one port thread to another to allow tube fitting or hose connections to be made
- Hose end adaptors – hose to port, hose to hose, etc

With the addition of the new adaptor range, Gates has taken its Integrated Approach to the next level where hoses, couplings, tube fittings and adaptors are designed together to obtain trustworthy port-to-port solutions!

RELIABILITY FROM A WELL-KNOWN BRAND

Gates adaptors are constructed with premium materials and precision machined to meet all recognised international standards. In other words, you can confidently install Gates adaptors. As with all our hydraulic products, you can count on high-quality, reliable parts that will deliver worry-free operation!





BIG COVERAGE

Gates new product line offers high-quality BSP and JIC adaptors at competitive pricing, with big coverage, so you can be sure to get the parts you need. The selected adaptor types are available in a multiple of sizes and configurations. This combination provides a product which covers numerous markets and applications – a few are listed below:

Markets

- Construction
- Agriculture & Forestry
- Off-shore & Marine
- Power pack build
- General hydraulics

Applications

- Excavators
- Loaders
- Harvesters
- Balers
- Off-shore equipment



Regardless of your requirement, Gates offers the right hydraulic adaptors to meet your challenging applications each and every time!

With over 100 years of experience, Gates products are trusted by professionals around the world.

HYDRAULIC ADAPTORS


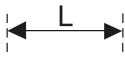

EXPLANATIONS

EXPLANATION OF ABBREVIATIONS

PART NUMBER	DESCRIPTION
MBSP	Male BSP parallel
MBSPP	Male BSP parallel
MBSPBKH	Male BSP bulkhead
MBSPT	Male BSP taper
FBSPP	Female BSPP fixed
FBSPPX	Female BSPP swivel
MJ	Male JIC
MJBKHD	Male JIC bulkhead
FJX	Female JIC swivel
MB	Male UN/UNF SAE with O-ring
MM	Male metric
MP	Male NPT
BL	Compact elbow
SWT	Swept elbow
OR	O-ring
COR	O-ring and retaining ring
WD	Captive seal
A	Adjustable

DASH SIZE	BSPP	JIC	SAE	NPT
2	1/8 - 28			Z 1/8 - 27
4	1/4 - 19	7/16 - 20	7/16 - 20	Z 1/4 - 18
5		1/2 - 20	1/2 - 20	
6	3/8 - 19	9/16 - 18	9/16 - 18	Z 3/8 - 18
8	1/2 - 14	3/4 - 16	3/4 - 16	Z 1/2 - 14
10	5/8 - 14	7/8 - 14	7/8 - 14	
12	3/4 - 14	1 1/16 - 12	1 1/16 - 12	Z 3/4 - 14
14		1 3/16 - 12	1 3/16 - 12	
16	1 - 11	1 5/16 - 12	1 5/16 - 12	Z 1 - 11.5
20	1 1/4 - 11	1 5/8 - 12	1 5/8 - 12	Z 1 1/4 - 11.5
24	1 1/2 - 11	1 7/8 - 12	1 7/8 - 12	Z 1 1/2 - 11.5
32	2 - 11			Z 2 - 11.5

EXPLANATION OF SYMBOLS

SYMBOLS	DESCRIPTION
	Thread
	Length
	Hex / Flats

EXPLANATION OF ORDERING EXAMPLES

ORDERING EXAMPLE 1	
6MJ-8MBSPACOR90	
6	= 9/16-18 UNF
MJ	= Male JIC
8	= 1/2-14
MBSP	= Male BSP parallel
A	= Adjustable
COR	= O-ring and retaining ring
90	= 90 degree elbow

ORDERING EXAMPLE 2	
4MBSPP-4FBSPPX-4MBSPP	
4	= 1/4-19
MBSPP	= Male BSP parallel
4	= 1/4-19
FBSPPX	= Female BSPP swivel
4	= 1/4-19
MBSPP	= Male BSP parallel (final part of "T" is on branch)

HYDRAULIC ADAPTORS

THE WORLD OF ADAPTORS



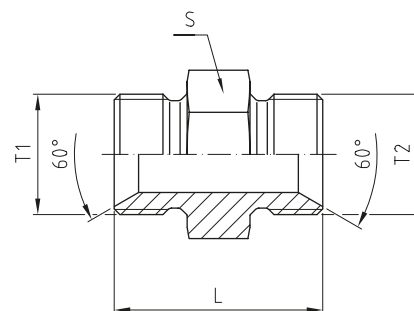
BSP







BSP ADAPTORS BS5200

BSP MBSPP-MBSPP EQUAL

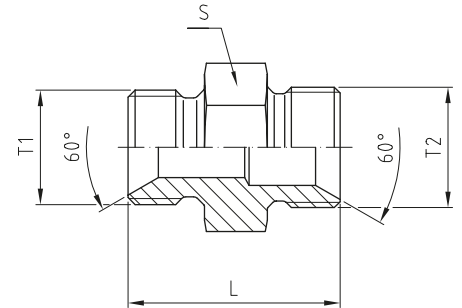
BSP 60° Male / Male equal







				
REF.	T1	T2	L	S
BSP	BSPP	BSPP	mm	mm
2MBSPP-2MBSPP	1/8-28	1/8-28	26,0	14,0
4MBSPP-4MBSPP	1/4-19	1/4-19	30,0	19,0
6MBSPP-6MBSPP	3/8-19	3/8-19	33,0	22,0
8MBSPP-8MBSPP	1/2-14	1/2-14	42,0	27,0
10MBSPP-10MBSPP	5/8-14	5/8-14	45,0	30,0
12MBSPP-12MBSPP	3/4-14	3/4-14	48,0	32,0
16MBSPP-16MBSPP	1-11	1-11	54,0	41,0
20MBSPP-20MBSPP	1 1/4-11	1 1/4-11	58,0	50,0
24MBSPP-24MBSPP	1 1/2-11	1 1/2-11	63,0	55,0
32MBSPP-32MBSPP	2-11	2-11	68,0	70,0

BSP MBSPP-MBSPP UNEQUAL

BSPP 60° Male / Male unequal

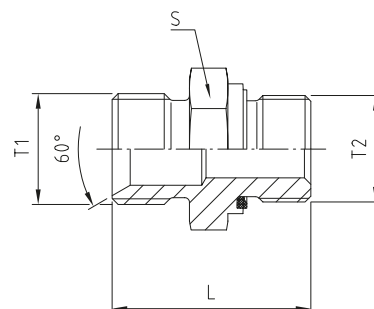







				
REF.	T1	T2	L	S
BSP	BSPP	BSPP	mm	mm
2MBSPP-4MBSPP	1/8-28	1/4-19	28,0	19,0
2MBSPP-6MBSPP	1/8-28	3/8-19	31,5	22,0
2MBSPP-8MBSPP	1/8-28	1/2-14	36,0	27,0
4MBSPP-6MBSPP	1/4-19	3/8-19	33,5	22,0
4MBSPP-8MBSPP	1/4-19	1/2-14	38,0	27,0
4MBSPP-10MBSPP	1/4-19	5/8-14	39,5	30,0
4MBSPP-12MBSPP	1/4-19	3/4-14	41,5	32,0
4MBSPP-16MBSPP	1/4-19	1-11	45,5	51,0
6MBSPP-8MBSPP	3/8-19	1/2-14	39,5	27,0
6MBSPP-10MBSPP	3/8-19	5/8-14	42,0	30,0
6MBSPP-12MBSPP	3/8-19	3/4-14	43,0	32,0
6MBSPP-16MBSPP	3/8-19	1-11	47,0	41,0
8MBSPP-10MBSPP	1/2-14	5/8-14	43,5	30,0
8MBSPP-12MBSPP	1/2-14	3/4-14	45,5	32,0
8MBSPP-16MBSPP	1/2-14	1-11	50,0	41,0
8MBSPP-20MBSPP	1/2-14	1 1/4-11	53,5	50,0
10MBSPP-12MBSPP	5/8-14	3/4-14	47,0	32,0
10MBSPP-16MBSPP	5/8-14	1-11	51,5	41,0
12MBSPP-16MBSPP	3/4-14	1-11	52,5	41,0
12MBSPP-20MBSPP	3/4-14	1 1/4-11	56,0	50,0
16MBSPP-20MBSPP	1-11	1 1/4-11	58,0	50,0
16MBSPP-24MBSPP	1-11	1 1/2-11	60,5	55,0
16MBSPP-32MBSPP	1-11	2-11	64,0	70,0
20MBSPP-24MBSPP	1 1/4-11	1 1/2-11	60,5	55,0
20MBSPP-32MBSPP	1 1/4-11	2-11	64,0	70,0
24MBSPP-32MBSPP	1 1/2-11	2-11	66,5	70,0

BSP ADAPTORS BS5200

BSP MBSPP-MBSPWD

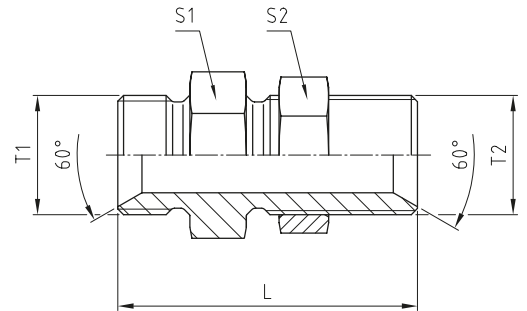
BSPP 60° Male / Male with captive seal







				
REF.	T1	T2	L	S
BSP	BSPP	BSPP WD	mm	mm
2MBSPP-2MBSPWD	1/8-28	1/8-28	25,5	14,0
4MBSPP-2MBSPWD	1/4-19	1/8-28	27,5	19,0
6MBSPP-2MBSPWD	3/8-19	1/8-28	29,0	22,0
2MBSPP-4MBSPWD	1/8-28	1/4-19	30,0	19,0
4MBSPP-4MBSPWD	1/4-19	1/4-19	32,0	19,0
6MBSPP-4MBSPWD	3/8-19	1/4-19	33,5	22,0
8MBSPP-4MBSPWD	1/2-14	1/4-19	40,0	27,0
12MBSPP-4MBSPWD	3/4-14	1/4-19	41,5	32,0
4MBSPP-6MBSPWD	1/4-19	3/8-19	34,5	22,0
6MBSPP-6MBSPWD	3/8-19	3/8-19	34,0	22,0
8MBSPP-6MBSPWD	1/2-14	3/8-19	40,5	27,0
12MBSPP-6MBSPWD	3/4-14	3/8-19	42,0	32,0
4MBSPP-8MBSPWD	1/4-19	1/2-14	39,0	27,0
6MBSPP-8MBSPWD	3/8-19	1/2-14	40,5	27,0
8MBSPP-8MBSPWD	1/2-14	1/2-14	43,0	27,0
12MBSPP-8MBSPWD	3/4-14	1/2-14	44,5	32,0
16MBSPP-8MBSPWD	1-11	1/2-14	50,5	41,0
4MBSPP-12MBSPWD	1/4-19	3/4-14	40,0	32,0
6MBSPP-12MBSPWD	3/8-19	3/4-14	43,5	32,0
8MBSPP-12MBSPWD	1/2-14	3/4-14	46,0	32,0
12MBSPP-12MBSPWD	3/4-14	3/4-14	46,5	32,0
16MBSPP-12MBSPWD	1-11	3/4-14	52,5	41,0
20MBSPP-12MBSPWD	1 1/4-11	3/4-14	54,5	50,0
6MBSPP-16MBSPWD	3/8-19	1-11	47,5	41,0
8MBSPP-16MBSPWD	1/2-14	1-11	50,0	41,0
12MBSPP-16MBSPWD	3/4-14	1-11	52,5	41,0
16MBSPP-16MBSPWD	1-11	1-11	54,5	41,0

BSP MBSPP-MBSPBKH

BSPP 60° Male / Male straight bulkhead with lock nut

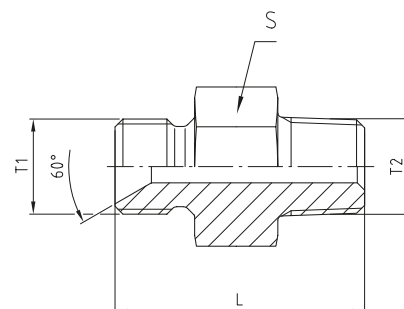






				
REF.	T1	T2	L	S1 & S2
BSP	BSPP	BSPP	mm	mm
2MBSPP-2MBSPBKH	1/8-28	1/8-28	49,0	14,0
4MBSPP-4MBSPBKH	1/4-19	1/4-19	53,0	19,0
6MBSPP-6MBSPBKH	3/8-19	3/8-19	56,5	22,0
8MBSPP-8MBSPBKH	1/2-14	1/2-14	65,0	27,0
10MBSPP-10MBSPBKH	5/8-14	5/8-14	67,5	30,0
12MBSPP-12MBSPBKH	3/4-14	3/4-14	71,5	32,0
16MBSPP-16MBSPBKH	1-11	1-11	84,0	41,0
20MBSPP-20MBSPBKH	1 1/4-11	1 1/4-11	89,5	50,0
24MBSPP-24MBSPBKH	1 1/2-11	1 1/2-11	93,0	55,0
32MBSPP-32MBSPBKH	2-11	2-11	97,5	70,0

BSP ADAPTORS BS5200

BSP MBSPP-MBSPT

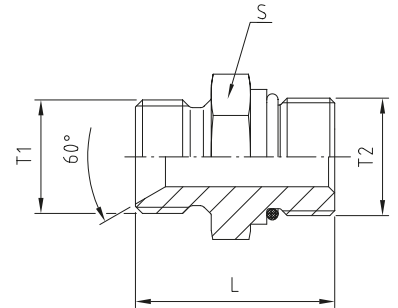
BSP 60° Male / Male BSP taper







				
REF.	T1	T2	L	
BSP	BSPP	BSPT	mm	
			S	
			mm	
2MBSPP-2MBSPT	1/8-28	R1/8-28	26,0	14,0
4MBSPP-2MBSPT	1/4-19	R1/8-28	28,0	19,0
2MBSPP-4MBSPT	1/8-28	R1/4-19	30,5	14,0
4MBSPP-4MBSPT	1/4-19	R1/4-19	32,0	19,0
6MBSPP-4MBSPT	3/8-19	R1/4-19	35,5	22,0
8MBSPP-4MBSPT	1/2-14	R1/4-19	40,5	27,0
4MBSPP-6MBSPT	1/4-19	R3/8-19	32,0	19,0
6MBSPP-6MBSPT	3/8-19	R3/8-19	35,5	22,0
8MBSPP-6MBSPT	1/2-14	R3/8-19	40,0	27,0
4MBSPP-8MBSPT	1/4-19	R1/2-14	40,0	24,0
6MBSPP-8MBSPT	3/8-19	R1/2-14	40,5	24,0
8MBSPP-8MBSPT	1/2-14	R1/2-14	45,0	27,0
12MBSPP-8MBSPT	3/4-14	R1/2-14	49,5	32,0
6MBSPP-12MBSPT	3/8-19	R3/4-14	40,5	27,0
8MBSPP-12MBSPT	1/2-14	R3/4-14	45,0	30,0
12MBSPP-12MBSPT	3/4-14	R3/4-14	48,5	32,0
16MBSPP-12MBSPT	1-11	R3/4-14	53,0	41,0
20MBSPP-12MBSPT	1 1/4-11	R3/4-14	56,0	50,0
12MBSPP-16MBSPT	3/4-14	R1-11	53,5	36,0
16MBSPP-16MBSPT	1-11	R1-11	58,0	41,0
20MBSPP-16MBSPT	1 1/4-11	R1-11	61,0	50,0
12MBSPP-20MBSPT	3/4-14	R1 1/4-11	58,0	46,0
16MBSPP-20MBSPT	1-11	R1 1/4-11	60,0	46,0
20MBSPP-20MBSPT	1 1/4-11	R1 1/4-11	62,0	50,0
24MBSPP-20MBSPT	1 1/2-11	R1 1/4-11	64,5	55,0
20MBSPP-24MBSPT	1 1/4-11	R1 1/2-11	62,0	50,0
24MBSPP-24MBSPT	1 1/2-11	R1 1/2-11	64,5	55,0
32MBSPP-32MBSPT	2-11	R2-11	72,5	70,0

BSP MBSPP-MB

BSP 60° Male / Male UN/UNF SAE with O-ring

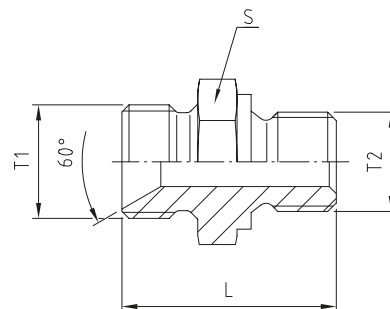






				
REF.	T1	T2	L	S
BSP	BSPP	SAE O	mm	mm
4MBSPP-4MB	1/4-19	7/16-20	29,5	19,0
4MBSPP-6MB	1/4-19	9/16-18	32,0	19,0
4MBSPP-8MB	1/4-19	3/4-16	31,0	22,0
6MBSPP-4MB	3/8-19	7/16-20	33,0	22,0
6MBSPP-6MB	3/8-19	9/16-18	33,5	22,0
6MBSPP-8MB	3/8-19	3/4-16	36,0	24,0
6MBSPP-10MB	3/8-19	7/8-14	39,5	27,0
6MBSPP-12MB	3/8-19	1 1/16-12	43,0	31,0
8MBSPP-8MB	1/2-14	3/4-16	38,0	27,0
8MBSPP-10MB	1/2-14	7/8-14	42,0	27,0
8MBSPP-12MB	1/2-14	1 1/16-12	42,5	36,0
10MBSPP-10MB	5/8-14	7/8-14	43,5	30,0
10MBSPP-12MB	5/8-14	1 1/16-12	47,0	34,0
12MBSPP-8MB	3/4-14	3/4-16	40,5	32,0
12MBSPP-10MB	3/4-14	7/8-14	45,5	32,0
12MBSPP-12MB	3/4-14	1 1/16-12	48,0	34,0
12MBSPP-16MB	3/4-14	1 5/16-12	50,7	41,0
16MBSPP-12MB	1-11	1 1/16-12	52,0	41,0
16MBSPP-16MB	1-11	1 5/16-12	52,6	41,0

BSP ADAPTORS BS5200

BSP MBSPP-MM

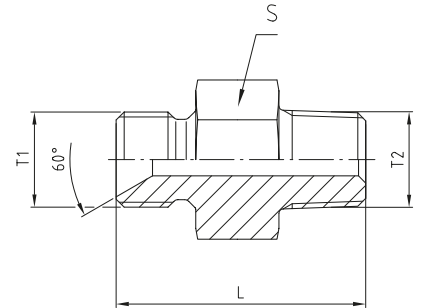
BSPP 60° Male / Male metric







				
REF.	T1	T2	L	
BSP	BSPP	METRIC	mm	
			S	
			mm	
4MBSPP-10MM	1/4-19	M10X1	27,0	19,0
4MBSPP-12MM	1/4-19	M12X1.5	29,0	19,0
4MBSPP-14MM	1/4-19	M14X1.5	30,0	19,0
4MBSPP-16MM	1/4-19	M16X1.5	33,0	22,0
4MBSPP-18MM	1/4-19	M18X1.5	33,0	24,0
4MBSPP-20MM	1/4-19	M20X1.5	37,0	27,0
4MBSPP-22MM	1/4-19	M22X1.5	37,0	27,0
6MBSPP-12MM	3/8-19	M12X1.5	31,5	22,0
6MBSPP-14MM	3/8-19	M14X1.5	32,5	22,0
6MBSPP-16MM	3/8-19	M16X1.5	33,5	22,0
6MBSPP-18MM	3/8-19	M18X1.5	34,5	24,0
6MBSPP-20MM	3/8-19	M20x1.5	38,5	27,0
6MBSPP-22MM	3/8-19	M22X1.5	38,5	27,0
8MBSPP-12MM	1/2-14	M12X1.5	37,0	27,0
8MBSPP-14MM	1/2-14	M14X1.5	38,0	27,0
8MBSPP-16MM	1/2-14	M16X1.5	39,0	27,0
8MBSPP-18MM	1/2-14	M18X1.5	39,0	27,0
8MBSPP-20MM	1/2-14	M20X1.5	41,0	27,0
8MBSPP-22MM	1/2-14	M22X1.5	41,0	27,0
8MBSPP-24MM	1/2-14	M24X1.5	41,0	30,0
8MBSPP-26MM	1/2-14	M26X1.5	44,0	32,0
12MBSPP-18MM	3/4-14	M18X1.5	42,5	32,0
12MBSPP-22MM	3/4-14	M22X1.5	44,5	32,0
12MBSPP-26MM	3/4-14	M26X1.5	46,5	32,0
16MBSPP-22MM	1-11	M22X1.5	48,5	41,0
16MBSPP-26MM	1-11	M26X1.5	50,5	41,0

BSP MBSPP-MP

BSP 60° Male / Male NPT

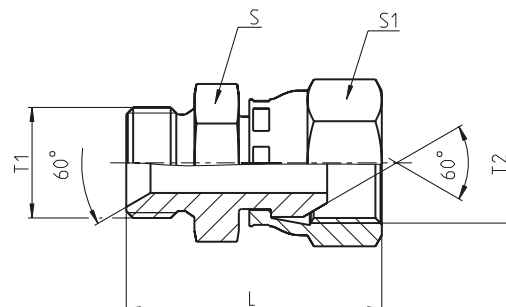






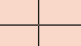
				
REF.	T1	T2	L	S
BSP	BSPP	NPT	mm	mm
4MBSPP-4MP	1/4-19	Z1/4-18	33,0	19,0
6MBSPP-6MP	3/8-19	Z3/8-18	37,5	22,0
8MBSPP-8MP	1/2-14	Z1/2-14	45,5	27,0
12MBSPP-12MP	3/4-14	Z3/4-14	49,0	32,0
16MBSPP-16MP	1-11	Z1-11.5	59,0	41,0
32MBSPP-32MP	2-11	Z2-11.5	70,0	70,0

BSP ADAPTORS BS5200

BSP MBSPP-FBSPPX

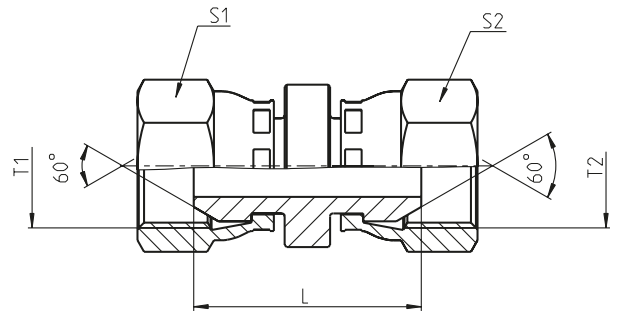
BSP 60° Male / Female swivel







					
REF.	T1	T2	L	S	S1
BSP	BSPP	BSPP F	mm	mm	mm
2MBSPP-2FBSPPX	1/8-28	1/8-28	25,0	14,0	14,0
2MBSPP-4FBSPPX	1/8-28	1/4-19	27,0	14,0	19,0
4MBSPP-2FBSPPX	1/4-19	1/8-28	27,0	19,0	14,0
4MBSPP-4FBSPPX	1/4-19	1/4-19	29,0	19,0	19,0
4MBSPP-6FBSPPX	1/4-19	3/8-19	30,5	19,0	22,0
4MBSPP-8FBSPPX	1/4-19	1/2-14	32,0	19,0	27,0
4MBSPP-12FBSPPX	1/4-19	3/4-14	33,0	27,0	32,0
6MBSPP-4FBSPPX	3/8-19	1/4-19	32,5	22,0	19,0
6MBSPP-6FBSPPX	3/8-19	3/8-19	34,0	22,0	22,0
6MBSPP-8FBSPPX	3/8-19	1/2-14	35,5	22,0	27,0
6MBSPP-12FBSPPX	3/8-19	3/4-14	36,5	27,0	32,0
6MBSPP-16FBSPPX	3/8-19	1-11	38,0	32,0	41,0
8MBSPP-4FBSPPX	1/2-14	1/4-19	37,0	27,0	19,0
8MBSPP-6FBSPPX	1/2-14	3/8-19	38,5	27,0	22,0
8MBSPP-8FBSPPX	1/2-14	1/2-14	40,0	27,0	27,0
8MBSPP-10FBSPPX	1/2-14	5/8-14	40,5	27,0	30,0
8MBSPP-12FBSPPX	1/2-14	3/4-14	41,0	27,0	32,0
8MBSPP-16FBSPPX	1/2-14	1-11	42,5	32,0	41,0
10MBSPP-10FBSPPX	5/8-14	5/8-14	42,0	30,0	30,0
12MBSPP-6FBSPPX	3/4-14	3/8-19	42,0	32,0	22,0
12MBSPP-8FBSPPX	3/4-14	1/2-14	43,5	32,0	27,0
12MBSPP-12FBSPPX	3/4-14	3/4-14	44,5	32,0	32,0
12MBSPP-16FBSPPX	3/4-14	1-11	46,0	32,0	41,0
12MBSPP-20FBSPPX	3/4-14	1 1/4-11	49,0	32,0	50,0
16MBSPP-8FBSPPX	1-11	1/2-14	48,0	41,0	27,0
16MBSPP-12FBSPPX	1-11	3/4-14	49,0	41,0	32,0
16MBSPP-16FBSPPX	1-11	1-11	50,0	41,0	41,0
16MBSPP-20FBSPPX	1-11	1 1/4-11	53,0	41,0	50,0
16MBSPP-24FBSPPX	1-11	1 1/2-11	53,5	55,0	55,0
20MBSPP-12FBSPPX	1 1/4-11	3/4-14	50,5	50,0	32,0
20MBSPP-16FBSPPX	1 1/4-11	1-11	52,0	50,0	41,0
20MBSPP-20FBSPPX	1 1/4-11	1 1/2-11	55,0	50,0	50,0
20MBSPP-24FBSPPX	1 1/4-11	1 1/2-11	55,5	50,0	55,0
20MBSPP-32FBSPPX	1 1/4-11	2-11	58,5	50,0	70,0
24MBSPP-16FBSPPX	1 1/2-11	1-11	54,5	55,0	41,0
24MBSPP-20FBSPPX	1 1/2-11	1 1/4-11	57,5	55,0	50,0
24MBSPP-24FBSPPX	1 1/2-11	1 1/2-11	58,0	55,0	55,0
24MBSPP-32FBSPPX	1 1/2-11	2-11	60,0	55,0	70,0
32MBSPP-20FBSPPX	2-11	1 1/4-11	60,0	70,0	50,0
32MBSPP-24FBSPPX	2-11	1 1/2-11	60,5	70,0	55,0
32MBSPP-32FBSPPX	2-11	2-11	63,5	70,0	70,0

BSP FBSPPX-FBSPPX

BSPP 60° Female swivel / Female swivel

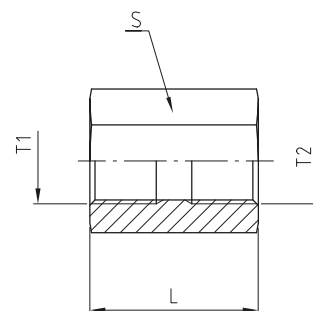






					
REF.	T1	T2	L	S1	S2
BSP	BSPP F	BSPP F	mm	mm	mm
2FBSPPX-2FBSPPX	1/8-28	1/8-28	21,0	14,0	14,0
4FBSPPX-4FBSPPX	1/4-19	1/4-19	25,0	19,0	19,0
4FBSPPX-6FBSPPX	1/4-19	3/8-19	26,5	19,0	22,0
4FBSPPX-8FBSPPX	1/4-19	1/2-14	28,5	19,0	27,0
6FBSPPX-6FBSPPX	3/8-19	3/8-19	27,0	22,0	22,0
6FBSPPX-8FBSPPX	3/8-19	1/2-14	29,5	22,0	27,0
8FBSPPX-8FBSPPX	1/2-14	1/2-14	31,0	27,0	27,0
8FBSPPX-10FBSPPX	1/2-14	5/8-14	31,5	27,0	30,0
8FBSPPX-12FBSPPX	1/2-14	3/4-14	32,5	27,0	32,0
10FBSPPX-10FBSPPX	5/8-14	5/8-14	31,5	30,0	30,0
12FBSPPX-12FBSPPX	3/4-14	3/4-14	33,5	32,0	32,0
12FBSPPX-16FBSPPX	3/4-14	1-11	35,0	32,0	41,0
16FBSPPX-16FBSPPX	1-11	1-11	36,5	41,0	41,0
20FBSPPX-20FBSPPX	1 1/4-11	1 1/4-11	40,0	50,0	50,0
24FBSPPX-24FBSPPX	1 1/2-11	1 1/2-11	47,0	55,0	55,0
32FBSPPX-32FBSPPX	2-11	2-11	47,0	70,0	70,0

BSP ADAPTORS BS5200

BSP FBSPP-FBSPP

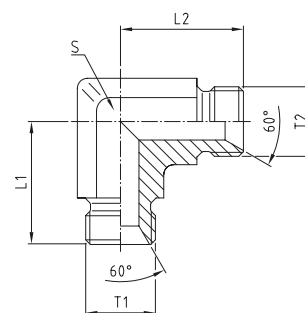
BSPP Female fixed / Female fixed







				
REF.	T1	T2	L	S
BSP	BSPP F	BSPP F	mm	mm
2FBSPP-2FBSPP	1/8-28	1/8-28	22,0	14,0
4FBSPP-4FBSPP	1/4-19	1/4-19	24,0	19,0
6FBSPP-6FBSPP	3/8-19	3/8-19	26,0	22,0
8FBSPP-8FBSPP	1/2-14	1/2-14	32,0	27,0
10FBSPP-10FBSPP	5/8-14	5/8-14	36,0	30,0
12FBSPP-12FBSPP	3/4-14	3/4-14	36,0	32,0
16FBSPP-16FBSPP	1-11	1-11	40,0	41,0
20FBSPP-20FBSPP	1 1/4-11	1 1/4-11	44,0	50,0
24FBSPP-24FBSPP	1 1/2-11	1 1/2-11	45,0	55,0
32FBSPP-32FBSPP	2-11	2-11	54,0	70,0

BSP MBSPP-MBSPP90BL

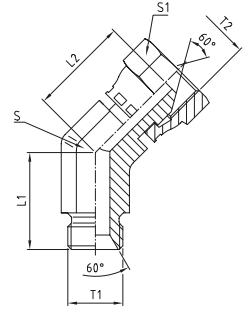
BSPP 60° Male / Male 90° compact elbow (forged)







					
REF.	T1	T2	L1	L2	S Flats
BSP	BSPP	BSPP	mm	mm	mm
4MBSPP-4MBSPP90BL	1/4-19	1/4-19	24,5	24,5	14,0
6MBSPP-6MBSPP90BL	3/8-19	3/8-19	27,5	27,5	16,0
8MBSPP-8MBSPP90BL	1/2-14	1/2-14	34,5	34,5	22,0
12MBSPP-12MBSPP90BL	3/4-14	3/4-14	40,0	40,0	27,0
16MBSPP-16MBSPP90BL	1-11	1-11	46,0	46,0	33,0

BSP MBSPP-FBSPPX45BL

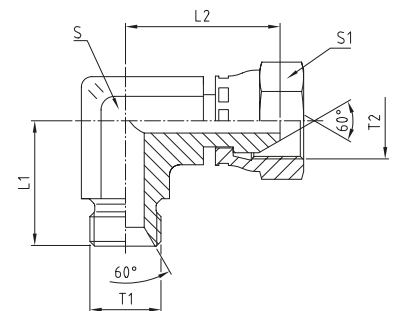
BSPP 60° Male / Female swivel 45° compact elbow (forged)







						
REF.	T1	T2	L1	L2	S Flats	S1
BSP	BSPP	BSPP F	mm	mm	mm	mm
4MBSPP-4FBSPPX45BL	1/4-19	1/4-19	20,3	23,5	14,0	19,0
6MBSPP-6FBSPPX45BL	3/8-19	3/8-19	22,0	26,7	16,0	22,0
8MBSPP-8FBSPPX45BL	1/2-14	1/2-14	27,0	29,5	22,0	27,0
12MBSPP-12FBSPPX45BL	3/4-14	3/4-14	31,0	34,1	27,0	32,0
16MBSPP-16FBSPPX45BL	1-11	1-11	35,0	38,3	33,0	41,0

BSP MBSPP-FBSPPX90BL

BSPP 60° Male / Female swivel 90° compact elbow (forged)

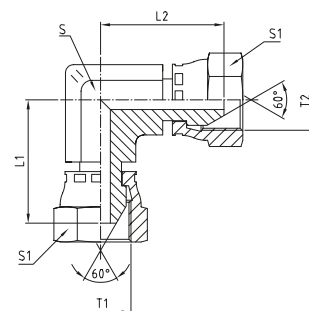






						
REF.	T1	T2	L1	L2	S Flats	S1
BSP	BSPP	BSPP F	mm	mm	mm	mm
4MBSPP-4FBSPPX90BL	1/4-19	1/4-19	24,5	24,0	14,0	19,0
6MBSPP-6FBSPPX90BL	3/8-19	3/8-19	27,5	26,7	16,0	22,0
8MBSPP-8FBSPPX90BL	1/2-14	1/2-14	34,5	34,3	22,0	27,0
10MBSPP-10FBSPPX90BL	5/8-14	5/8-14	35,0	34,3	22,0	30,0
12MBSPP-12FBSPPX90BL	3/4-14	3/4-14	40,0	36,5	27,0	32,0
16MBSPP-16FBSPPX90BL	1-11	1-11	46,0	43,2	33,0	41,0
20MBSPP-20FBSPPX90BL	1 1/4-11	1 1/4-11	50,5	46,4	41,0	50,0

BSP ADAPTORS BS5200

BSP FBSPPX-FBSPPX90BL

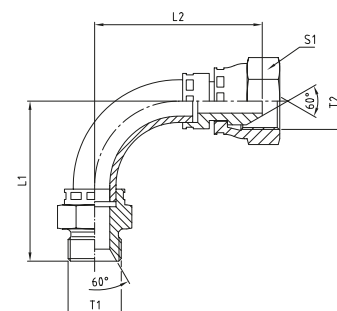
BSPP 60° Female swivel / Female swivel 90° compact elbow (forged)







						
REF.	T1	T2	L1	L2	S Flats	S1
BSP	BSPP F	BSPP F	mm	mm	mm	mm
4FBSPPX-4FBSPPX90BL	1/4-19	1/4-19	24,0	24,0	11,0	19,0
6FBSPPX-6FBSPPX90BL	3/8-19	3/8-19	26,7	26,7	14,0	22,0
8FBSPPX-8FBSPPX90BL	1/2-14	1/2-14	34,3	34,3	19,0	27,0
10FBSPPX-10FBSPPX90BL	5/8-14	5/8-14	34,3	34,3	22,0	30,0
12FBSPPX-12FBSPPX90BL	3/4-14	3/4-14	36,5	36,5	24,0	32,0
16FBSPPX-16FBSPPX90BL	1-11	1-11	43,2	43,2	30,0	41,0
20FBSPPX-20FBSPPX90BL	1 1/4-11	1 1/4-11	46,4	46,4	36,0	50,0

BSP MBSPP-FBSPPX90SWT

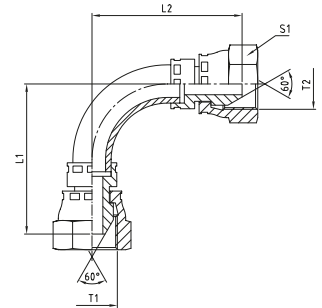
BSPP 60° Male / Female swivel 90° swept elbow







						
REF.	T1	T2	L1	L2	S1	
BSP	BSPP	BSPP F	mm	mm	mm	
4MBSPP-4FBSPPX90SWT	1/4-19	1/4-19	43,0	33,6	19,0	
6MBSPP-6FBSPPX90SWT	3/8-19	3/8-19	51,6	41,3	22,0	
8MBSPP-8FBSPPX90SWT	1/2-14	1/2-14	59,8	48,6	27,0	
10MBSPP-10FBSPPX90SWT	5/8-14	5/8-14	70,0	52,5	30,0	
12MBSPP-12FBSPPX90SWT	3/4-14	3/4-14	73,9	62,1	32,0	
16MBSPP-16FBSPPX90SWT	1-11	1-11	93,7	72,8	41,0	
20MBSPP-20FBSPPX90SWT	1 1/4-11	1 1/4-11	110,7	85,9	50,0	

BSP FBSPPX-FBSPPX90SWT

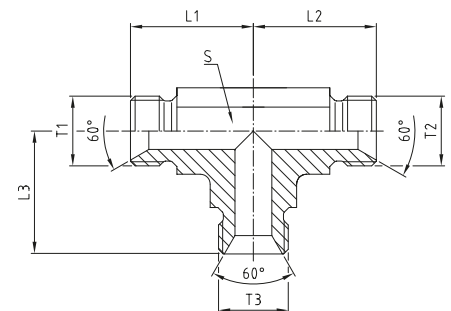
BSPP 60° Female swivel / Female swivel 90° swept elbow







					
REF.	T1	T2	L1	L2	S1
BSP	BSPP F	BSPP F	mm	mm	mm
4FBSPPX-4FBSPPX90SWT	1/4-19	1/4-19	27,0	27,0	19,0
6FBSPPX-6FBSPPX90SWT	3/8-19	3/8-19	33,0	33,0	22,0
8FBSPPX-8FBSPPX90SWT	1/2-14	1/2-14	38,0	38,0	27,0
10FBSPPX-10FBSPPX90SWT	5/8-14	5/8-14	52,5	52,5	30,0
12FBSPPX-12FBSPPX90SWT	3/4-14	3/4-14	58,0	58,0	32,0
16FBSPPX-16FBSPPX90SWT	1-11	1-11	74,0	74,0	41,0
20FBSPPX-20FBSPPX90SWT	1 1/4-11	1 1/4-11	92,0	92,0	50,0

BSP MBSPP-MBSPP-MBSPP

BSPP 60° Male / Male / Male "T" (forged)

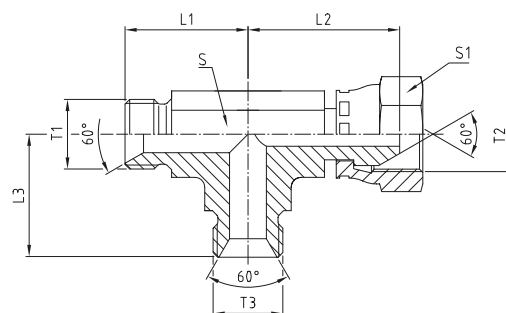






						
REF.	T1	T2	T3	L1 . L2	L3	S Flats
BSP	BSPP	BSPP	BSPP	mm	mm	mm
4MBSPP-4MBSPP-4MBSPP	1/4-19	1/4-19	1/4-19	24,5	24,5	14,0
6MBSPP-6MBSPP-6MBSPP	3/8-19	3/8-19	3/8-19	27,5	27,5	16,0
8MBSPP-8MBSPP-8MBSPP	1/2-14	1/2-14	1/2-14	34,5	34,5	22,0
10MBSPP-10MBSPP-10MBSPP	5/8-14	5/8-14	5/8-14	35,0	35,0	22,0
12MBSPP-12MBSPP-12MBSPP	3/4-14	3/4-14	3/4-14	40,0	40,0	27,0
16MBSPP-16MBSPP-16MBSPP	1-11	1-11	1-11	46,0	46,0	33,0
20MBSPP-20MBSPP-20MBSPP	1 1/4-11	1 1/4-11	1 1/4-11	50,5	50,5	41,0
24MBSPP-24MBSPP-24MBSPP	1 1/2-11	1 1/2-11	1 1/2-11	57,5	57,5	48,0

BSP ADAPTORS BS5200

BSP MBSPP-FBSPPX-MBSPP

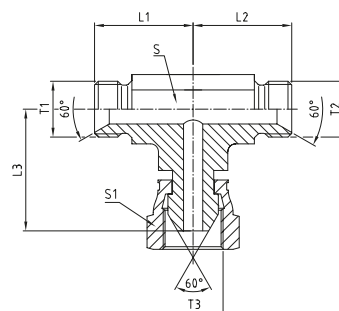
BSPP 60° Male / Female swivel / Male "T" (forged)







							
REF.	T1	T2	T3	L1 . L3	L2	S Flats	S1
BSP	BSPP	BSPP F	BSPP	mm	mm	mm	mm
4MBSPP-4FBSPPX-4MBSPP	1/4-19	1/4-19	1/4-19	25,0	24,0	14,0	19,0
6MBSPP-6FBSPPX-6MBSPP	3/8-19	3/8-19	3/8-19	27,5	26,7	16,0	22,0
8MBSPP-8FBSPPX-8MBSPP	1/2-14	1/2-14	1/2-14	34,5	34,3	22,0	27,0
12MBSPP-12FBSPPX-12MBSPP	3/4-14	3/4-14	3/4-14	40,0	36,5	27,0	32,0
16MBSPP-16FBSPPX-16MBSPP	1-11	1-11	1-11	46,0	43,2	33,0	41,0
20MBSPP-20FBSPPX-20MBSPP	1 1/4-11	1 1/4-11	1 1/4-11	50,5	46,4	41,0	50,0

BSP MBSPP-MBSPP-FBSPPX

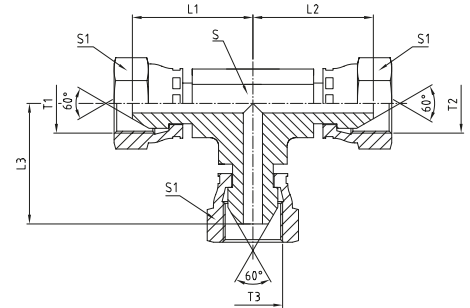
BSPP 60° Male / Male / Female swivel "T" (forged)







							
REF.	T1	T2	T3	L1 . L2	L3	S Flats	S1
BSP	BSPP	BSPP	BSPP F	mm	mm	mm	mm
4MBSPP-4MBSPP-4FBSPPX	1/4-19	1/4-19	1/4-19	24,5	24,0	14,0	19,0
6MBSPP-6MBSPP-6FBSPPX	3/8-19	3/8-19	3/8-19	27,5	26,7	16,0	22,0
8MBSPP-8MBSPP-8FBSPPX	1/2-14	1/2-14	1/2-14	34,5	34,3	22,0	27,0
12MBSPP-12MBSPP-12FBSPPX	3/4-14	3/4-14	3/4-14	40,0	36,5	27,0	32,0
16MBSPP-16MBSPP-16FBSPPX	1-11	1-11	1-11	46,0	43,2	33,0	41,0
20MBSPP-20MBSPP-20FBSPPX	1 1/4-11	1 1/4-11	1 1/4-11	50,5	46,4	41,0	50,0

BSP FBSPPX-FBSPPX-FBSPPX

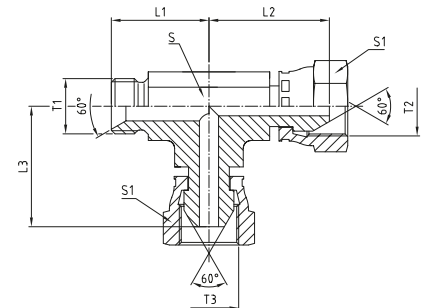
BSPP 60° Female swivel / Female swivel / Female swivel "T" (forged)







							
REF.	T1	T2	T3	L1 . L2	L3	S Flats	S1
BSP	BSPP F	BSPP F	BSPP F	mm	mm	mm	mm
4FBSPPX-4FBSPPX-4FBSPPX	1/4-19	1/4-19	1/4-19	24,0	24,0	11,0	19,0
6FBSPPX-6FBSPPX-6FBSPPX	3/8-19	3/8-19	3/8-19	26,7	26,7	16,0	22,0
8FBSPPX-8FBSPPX-8FBSPPX	1/2-14	1/2-14	1/2-14	34,3	34,3	19,0	27,0
10FBSPPX-10FBSPPX-10FBSPPX	5/8-14	5/8-14	5/8-14	34,3	34,3	22,0	30,0
12FBSPPX-12FBSPPX-12FBSPPX	3/4-14	3/4-14	3/4-14	36,5	36,5	24,0	32,0
16FBSPPX-16FBSPPX-16FBSPPX	1-11	1-11	1-11	43,2	43,2	30,0	41,0
20FBSPPX-20FBSPPX-20FBSPPX	1 1/4-11	1 1/4-11	1 1/4-11	46,4	46,4	41,0	50,0
24FBSPPX-24FBSPPX-24FBSPPX	1 1/2-11	1 1/2-11	1 1/2-11	54,5	54,5	48,0	55,0

BSP MBSPP-FBSPPX-FBSPPX

BSPP 60° Male / Female swivel / Female swivel "T" (forged)

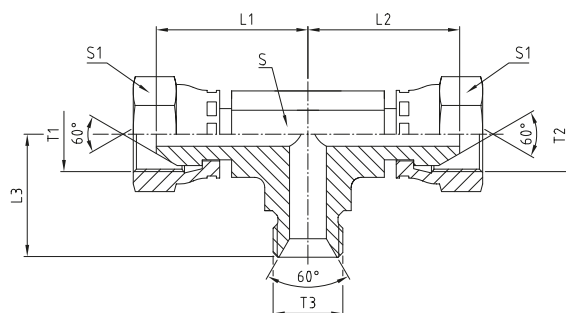






							
REF.	T1	T2	T3	L1	L2 . L3	S Flats	S1
BSP	BSPP	BSPP F	BSPP F	mm	mm	mm	mm
4MBSPP-4FBSPPX-4FBSPPX	1/4-19	1/4-19	1/4-19	25,0	24,0	14,0	19,0
6MBSPP-6FBSPPX-6FBSPPX	3/8-19	3/8-19	3/8-19	27,5	26,7	16,0	22,0
8MBSPP-8FBSPPX-8FBSPPX	1/2-14	1/2-14	1/2-14	34,5	34,3	22,0	27,0
12MBSPP-12FBSPPX-12FBSPPX	3/4-14	3/4-14	3/4-14	40,0	36,5	27,0	32,0
16MBSPP-16FBSPPX-16FBSPPX	1-11	1-11	1-11	46,0	43,2	33,0	41,0

BSP ADAPTORS BS5200

BSP FBSPPX-FBSPPX-MBSPP

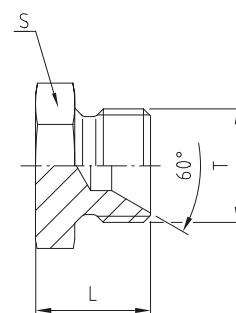
BSPP 60° Female swivel / Female swivel / Male "T" (forged)







							
REF.	T1	T2	T3	L1 . L2	L3	S Flats	S1
BSP	BSPP F	BSPP F	BSPP	mm	mm	mm	mm
4FBSPPX-4FBSPPX-4MBSPP	1/4-19	1/4-19	1/4-19	24,0	25,0	14,0	19,0
6FBSPPX-6FBSPPX-6MBSPP	3/8-19	3/8-19	3/8-19	26,7	27,5	16,0	22,0
8FBSPPX-8FBSPPX-8MBSPP	1/2-14	1/2-14	1/2-14	34,3	34,5	22,0	27,0
10FBSPPX-10FBSPPX-10MBSPP	5/8-14	5/8-14	5/8-14	34,3	34,5	22,0	30,0
12FBSPPX-12FBSPPX-12MBSPP	3/4-14	3/4-14	3/4-14	36,5	40,0	27,0	32,0
16FBSPPX-16FBSPPX-16MBSPP	1-11	1-11	1-11	43,2	46,0	33,0	41,0

BSP MBSPP PLUG

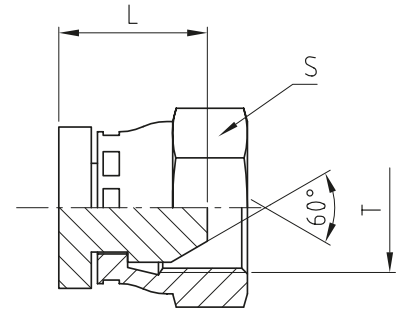
BSPP 60° Male cone plug







				
REF.	T	L		S
BSP	BSPP	mm		mm
2MBSPP-PLUG	1/8-28	16,0		14,0
4MBSPP-PLUG	1/4-19	18,0		19,0
6MBSPP-PLUG	3/8-19	21,5		22,0
8MBSPP-PLUG	1/2-14	26,0		27,0
10MBSPP-PLUG	5/8-14	27,5		30,0
12MBSPP-PLUG	3/4-14	29,5		32,0
16MBSPP-PLUG	1-11	34,0		41,0
20MBSPP-PLUG	1 1/4-11	37,5		50,0
24MBSPP-PLUG	1 1/2-11	40,0		55,0
32MBSPP-PLUG	2-11	43,5		70,0

BSP FBSPPX CAP

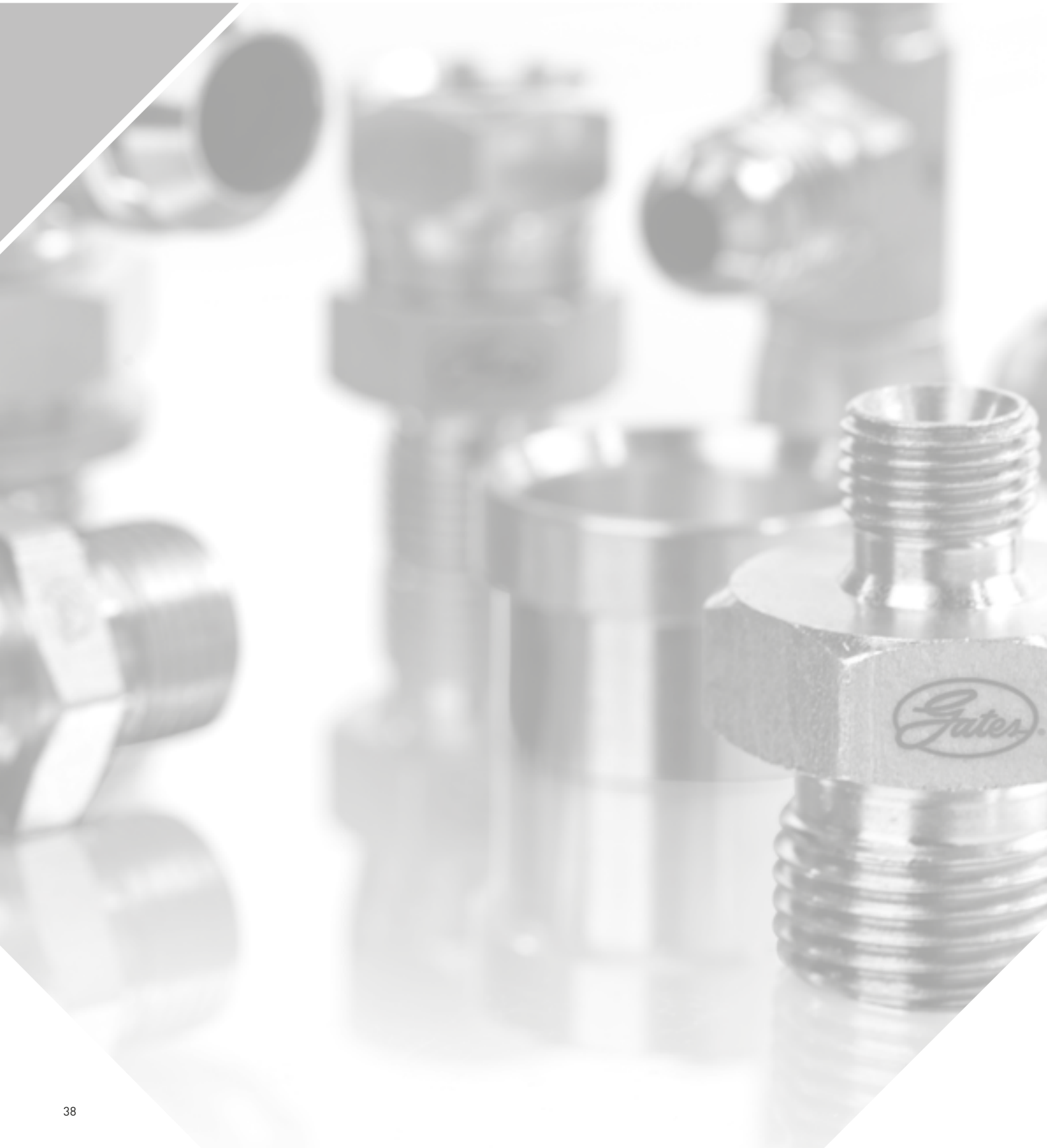
BSPP 60° Female swivel cap



			
REF.	T	L	S
BSP	BSPP	mm	mm
2FBSPPX-CAP	1/8-28	13,8	14,0
4FBSPPX-CAP	1/4-19	16,9	19,0
6FBSPPX-CAP	3/8-19	17,4	22,0
8FBSPPX-CAP	1/2-14	20,2	27,0
10FBSPPX-CAP	5/8-14	19,6	30,0
12FBSPPX-CAP	3/4-14	21,9	32,0
16FBSPPX-CAP	1-11	23,6	41,0
20FBSPPX-CAP	1 1/4-11	28,4	50,0
24FBSPPX-CAP	1 1/2-11	28,5	55,0
32FBSPPX-CAP	2-11	31,5	70,0

HYDRAULIC ADAPTORS

THE WORLD OF ADAPTORS



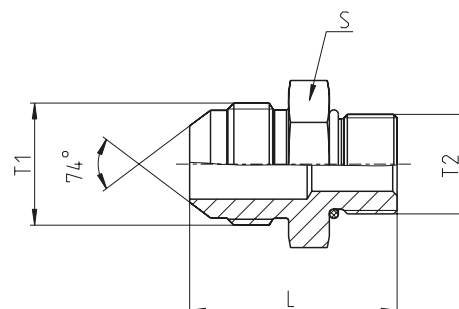
JIC







JIC ADAPTORS ISO 8434-2 & SAE J514

JIC MJ-MMOR

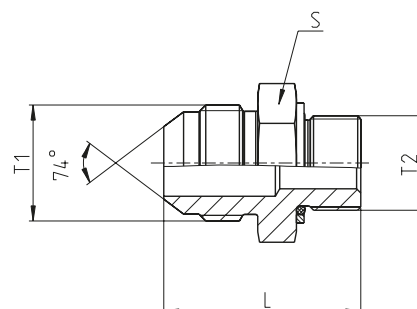
JIC 37° Male / Male metric with O-ring







				
REF.	T1	T2	L	S
JIC	JIC	Metric	mm	mm
4MJ-10MMOR	7/16-20	M10X1	30,0	14,0
6MJ-14MMOR	9/16-18	M14x1.5	34,0	19,0
6MJ-16MMOR	9/16-18	M16x1.5	36,0	22,0
6MJ-18MMOR	9/16-18	M18x1.5	37,0	24,0
8MJ-16MMOR	3/4-16	M16x1.5	38,0	22,0
8MJ-18MMOR	3/4-16	M18x1.5	39,0	24,0
10MJ-14MMOR	7/8-14	M14x1.5	41,0	24,0
10MJ-18MMOR	7/8-14	M18x1.5	43,0	24,0
10MJ-22MMOR	7/8-14	M22x1.5	44,0	27,0
12MJ-22MMOR	1 1/16-12	M22x1.5	48,0	27,0
12MJ-27MMOR	1 1/16-12	M27x2	51,0	32,0

JIC MJ-MMCOR

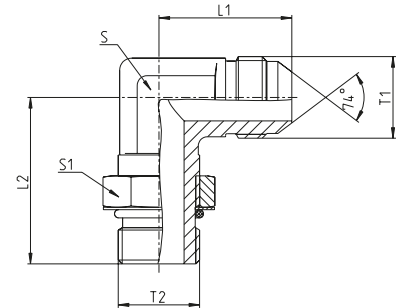
JIC 37° Male / Male metric with O-ring and retaining ring







				
REF.	T1	T2	L	S
JIC	JIC	Metric	mm	mm
6MJ-14MMCOR	9/16-18	M14x1.5	34,0	19,0
6MJ-18MMCOR	9/16-18	M18x1.5	37,0	24,0

JIC MJ-MMAOR90

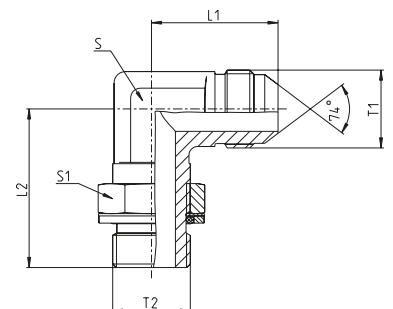
JIC 37° Male / Adjustable male metric 90° elbow with O-ring







						
REF.	T1	T2	L1	L2	S Flats	S1
JIC	JIC	Metric	mm	mm	mm	mm
5MJ-12MMAOR90	1/2-20	M12x1.5	24,0	31,0	13,0	17,0
6MJ-14MMAOR90	9/16-18	M14x1.5	27,0	34,0	14,0	19,0
8MJ-18MMAOR90	3/4-16	M18x1.5	32,0	38,0	19,0	24,0
10MJ-18MMAOR90	7/8-14	M18x1.5	37,0	42,0	22,0	24,0
10MJ-22MMAOR90	7/8-14	M22x1.5	37,0	43,0	22,0	27,0
12MJ-22MMAOR90	1 1/16-12	M22x1.5	42,0	45,0	24,0	27,0
12MJ-27MMAOR90	1 1/16-12	M27x2	42,0	50,0	27,0	32,0

JIC MJ-MMACOR90

JIC 37° Male / Adjustable male metric 90° elbow with O-ring and retaining ring

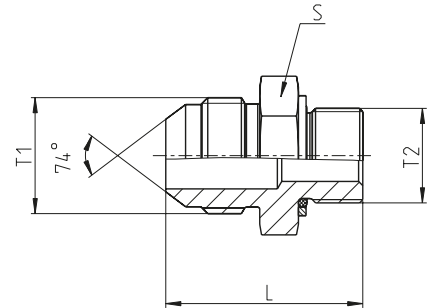






						
REF.	T1	T2	L1	L2	S Flats	S1
JIC	JIC	Metric	mm	mm	mm	mm
4MJ-10MMACOR90	7/16-20	M10x1	23,0	27,0	11,0	13,0

JIC ADAPTORS ISO 8434-2 & SAE J514

JIC MJ-MBSPPCOR

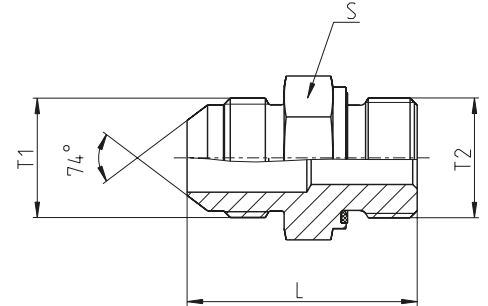
JIC 37° Male / Male BSPP with O-ring and retaining ring







				
REF.	T1	T2	L	S
JIC	JIC	BSPP	mm	mm
4MJ-2MBSPPCOR	7/16-20	1/8-28	28,0	16,0
4MJ-4MBSPPCOR	7/16-20	1/4-19	32,0	19,0
4MJ-6MBSPPCOR	7/16-20	3/8-19	33,0	22,0
4MJ-8MBSPPCOR	7/16-20	1/2-14	39,0	30,0
6MJ-4MBSPPCOR	9/16-18	1/4-19	33,0	19,0
6MJ-2MBSPPCOR	9/16-18	1/8-28	29,0	17,0
6MJ-6MBSPPCOR	9/16-18	3/8-19	33,0	22,0
6MJ-8MBSPPCOR	9/16-18	1/2-14	38,0	30,0
8MJ-6MBSPPCOR	3/4-16	3/8-19	36,0	22,0
8MJ-4MBSPPCOR	3/4-16	1/4-19	35,0	19,0
8MJ-8MBSPPCOR	3/4-16	1/2-14	41,0	30,0
8MJ-12MBSPPCOR	3/4-16	3/4-14	42,0	36,0
8MJ-16MBSPPCOR	3/4-16	1-11	47,0	46,0
10MJ-8MBSPPCOR	7/8-14	1/2-14	43,0	30,0
10MJ-6MBSPPCOR	7/8-14	3/8-19	39,0	24,0
10MJ-12MBSPPCOR	7/8-14	3/4-14	45,0	36,0
12MJ-12MBSPPCOR	1 1/16-12	3/4-14	48,0	36,0
16MJ-16MBSPPCOR	1 5/16-12	1-11	54,0	46,0
16MJ-12MBSPPCOR	1 5/16-12	3/4-14	49,0	36,0
16MJ-20MBSPPCOR	1 5/16-12	1 1/4-11	55,0	50,0
24MJ-20MBSPPCOR	1 7/8-12	1 1/4-11	60,0	50,0

JIC MJ-MBSPWD

JIC 37° Male / Male BSPP with captive seal

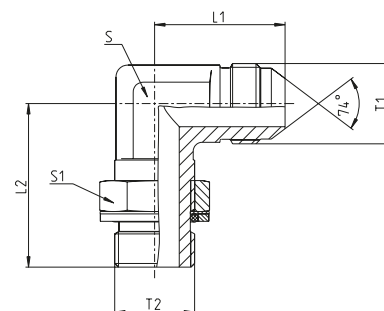





				
REF.	T1	T2	L	S
JIC	JIC	BSPP	mm	mm
4MJ-2MBSPWD	7/16-20	1/8-28	28,0	16,0
4MJ-4MBSPWD	7/16-20	1/4-19	32,0	19,0
4MJ-6MBSPWD	7/16-20	3/8-19	33,0	22,0
4MJ-8MBSPWD	7/16-20	1/2-14	39,0	27,0
5MJ-2MBSPWD	1/2-20	1/8-28	28,0	17,0
5MJ-4MBSPWD	1/2-20	1/4-19	32,0	19,0
5MJ-6MBSPWD	1/2-20	3/8-19	33,0	22,0
6MJ-4MBSPWD	9/16-18	1/4-19	33,0	19,0
6MJ-6MBSPWD	9/16-18	3/8-19	33,0	22,0
6MJ-8MBSPWD	9/16-18	1/2-14	38,0	30,0
8MJ-6MBSPWD	3/4-16	3/8-19	36,0	22,0
8MJ-4MBSPWD	3/4-16	1/4-19	35,0	19,0
8MJ-8MBSPWD	3/4-16	1/2-14	41,0	30,0
8MJ-12MBSPWD	3/4-16	3/4-14	42,0	36,0
8MJ-16MBSPWD	3/4-16	1-11	47,0	46,0
10MJ-8MBSPWD	7/8-14	1/2-14	43,0	30,0
10MJ-6MBSPWD	7/8-14	3/8-19	39,0	24,0
10MJ-12MBSPWD	7/8-14	3/4-14	45,0	36,0
12MJ-12MBSPWD	1 1/16-12	3/4-14	48,0	36,0
12MJ-8MBSPWD	1 1/16-12	1/2-14	47,0	30,0
12MJ-16MBSPWD	1 1/16-12	1-11	53,0	46,0
16MJ-16MBSPWD	1 5/16-12	1-11	54,0	46,0
16MJ-12MBSPWD	1 5/16-12	3/4-14	49,0	36,0
16MJ-20MBSPWD	1 5/16-12	1 1/4-11	55,0	50,0

JIC ADAPTORS ISO 8434-2 & SAE J514

JIC MJ-MBSPACOR90

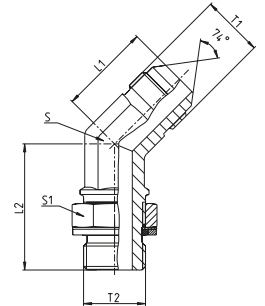
JIC 37° Male / Adjustable male BSPP 90° elbow with O-ring and retaining ring







						
REF.	T1	T2	L1	L2	S Flats	S1
JIC	JIC	BSPP	mm	mm	mm	mm
4MJ-2MBSPACOR90	7/16-20	1/8-28	23,0	27,0	11,0	14,0
4MJ-4MBSPACOR90	7/16-20	1/4-19	27,0	32,0	14,0	19,0
4MJ-6MBSPACOR90	7/16-20	3/8-19	29,0	27,0	19,0	22,0
5MJ-2MBSPACOR90	1/2-20	1/8-28	24,0	27,0	13,0	14,0
5MJ-4MBSPACOR90	1/2-20	1/4-19	27,0	32,0	14,0	19,0
5MJ-6MBSPACOR90	1/2-20	3/8-19	29,0	37,0	19,0	22,0
6MJ-4MBSPACOR90	9/16-18	1/4-19	27,0	32,0	14,0	19,0
6MJ-6MBSPACOR90	9/16-18	3/8-19	29,0	37,0	19,0	22,0
6MJ-8MBSPACOR90	9/16-18	1/2-14	31,0	43,0	22,0	27,0
8MJ-6MBSPACOR90	3/4-16	3/8-19	32,0	37,0	19,0	22,0
8MJ-4MBSPACOR90	3/4-16	1/4-19	32,0	37,0	19,0	19,0
8MJ-8MBSPACOR90	3/4-16	1/2-14	34,0	43,0	22,0	27,0
8MJ-12MBSPACOR90	3/4-16	3/4-14	36,0	50,0	27,0	36,0
10MJ-8MBSPACOR90	7/8-14	1/2-14	37,0	43,0	22,0	27,0
10MJ-6MBSPACOR90	7/8-14	3/8-19	37,0	36,0	22,0	22,0
10MJ-12MBSPACOR90	7/8-14	3/4-14	39,0	50,0	27,0	36,0
12MJ-12MBSPACOR90	1 1/16-12	3/4-14	42,0	50,0	27,0	36,0
12MJ-8MBSPACOR90	1 1/16-12	1/2-14	42,0	50,0	27,0	27,0
12MJ-16MBSPACOR90	1 1/16-12	1-11	45,0	52,0	33,0	41,0
16MJ-16MBSPACOR90	1 5/16-12	1-11	46,0	52,0	33,0	41,0
16MJ-12MBSPACOR90	1 5/16-12	3/4-14	46,0	47,0	33,0	36,0
20MJ-20MBSPACOR90	1 5/8-12	1 1/4-11	52,0	57,0	41,0	50,0
24MJ-24MBSPACOR90	1 7/8-12	1 1/2-11	59,0	61,0	48,0	55,0

JIC MJ-MBSPACOR45

JIC 37° Male / Adjustable male BSPP 45° elbow with O-ring and retaining ring

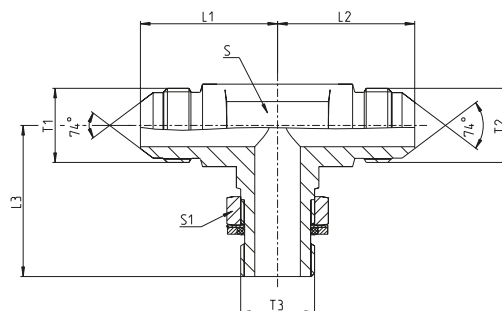






						
REF.	T1	T2	L1	L2	S Flats	S1
JIC	JIC	BSPP	mm	mm	mm	mm
4MJ-2MBSPACOR45	7/16-20	1/8-28	18,0	27,0	11,0	14,0
4MJ-4MBSPACOR45	7/16-20	1/4-19	21,0	29,0	14,0	19,0
6MJ-4MBSPACOR45	9/16-18	1/4-19	21,0	29,0	14,0	19,0
6MJ-6MBSPACOR45	9/16-18	3/8-19	22,0	33,0	19,0	22,0
6MJ-8MBSPACOR45	9/16-18	1/2-14	22,0	39,0	22,0	27,0
8MJ-6MBSPACOR45	3/4-16	3/8-19	25,0	33,0	19,0	22,0
8MJ-8MBSPACOR45	3/4-16	1/2-14	25,0	39,0	22,0	27,0
10MJ-8MBSPACOR45	7/8-14	1/2-14	28,0	39,0	22,0	27,0
10MJ-12MBSPACOR45	7/8-14	3/4-14	30,0	44,0	27,0	36,0
12MJ-12MBSPACOR45	1 1/16-12	3/4-14	33,0	44,0	27,0	36,0
16MJ-16MBSPACOR45	1 5/16-12	1-11	37,0	47,0	33,0	41,0

JIC ADAPTORS ISO 8434-2 & SAE J514

JIC MJ-MJ-MBSPACOR

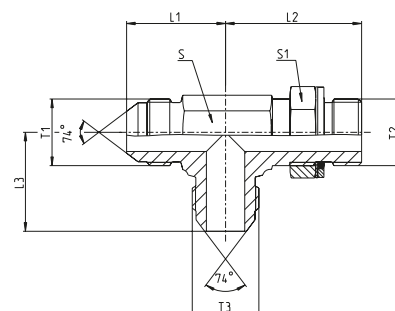
JIC 37° Male / Male / Adjustable male BSPP with O-ring and retaining ring "Branch T"







							
REF.	T1	T2	T3	L1 . L2	L3	S Flats	S1
JIC	JIC	JIC	BSPP	mm	mm	mm	mm
4MJ-4MJ-2MBSPACOR	7/16-20	7/16-20	1/8-28	23,0	27,0	11,0	14,0
6MJ-6MJ-4MBSPACOR	9/16-18	9/16-18	1/4-19	27,0	32,0	14,0	19,0
8MJ-8MJ-6MBSPACOR	3/4-16	3/4-16	3/8-19	32,0	37,0	19,0	22,0
8MJ-8MJ-8MBSPACOR	3/4-16	3/4-16	1/2-14	34,0	44,0	22,0	27,0
10MJ-10MJ-8MBSPACOR	7/8-14	7/8-14	1/2-14	27,0	43,0	22,0	27,0
12MJ-12MJ-12MBSPACOR	1 1/16-12	1 1/16-12	3/4-14	42,0	50,0	27,0	36,0
16MJ-16MJ-16MBSPACOR	1 5/16-12	1 5/16-12	1-11	46,0	52,0	33,0	41,0

JIC MJ-MBSPACOR-MJ

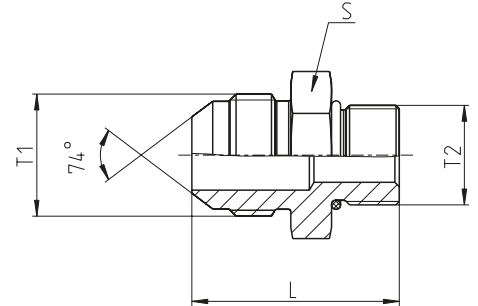
JIC 37° Male / Adjustable male BSPP with O-ring and retaining ring / Male "Run T"







							
REF.	T1	T2	T3	L1 . L3	L2	S Flats	S1
JIC	JIC	BSPP	JIC	mm	mm	mm	mm
4MJ-2MBSPACOR-4MJ	7/16-20	1/8-28	7/16-20	23,0	27,0	11,0	14,0
6MJ-4MBSPACOR-6MJ	9/16-18	1/4-19	9/16-18	27,0	32,0	14,0	19,0
8MJ-6MBSPACOR-8MJ	3/4-16	3/8-19	3/4-16	32,0	37,0	19,0	22,0
10MJ-8MBSPACOR-10MJ	7/8-14	1/2-14	7/8-14	37,0	43,0	22,0	27,0
12MJ-12MBSPACOR-12MJ	1 1/16-12	3/4-14	1 1/16-12	42,0	50,0	27,0	27,0
16MJ-16MBSPACOR-16MJ	1 5/16-12	1-11	1 5/16-12	43,0	52,0	33,0	36,0

JIC MJ-MB

JIC 37° Male / Male UN/UNF SAE with O-ring

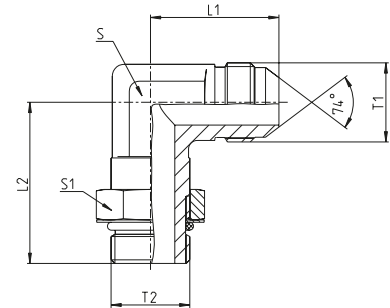






				
REF.	T1	T2	L	S
JIC	JIC	SAE O	mm	mm
4MJ-4MB	7/16-20	7/16-20	31,0	14,0
4MJ-6MB	7/16-20	9/16-18	33,0	17,0
5MJ-5MB	1/2-20	1/2-20	31,0	16,0
5MJ-4MB	1/2-20	7/16-20	31,0	14,0
5MJ-6MB	1/2-20	9/16-18	33,0	17,0
6MJ-6MB	9/16-18	9/16-18	33,0	17,0
6MJ-4MB	9/16-18	7/16-20	32,0	16,0
6MJ-8MB	9/16-18	3/4-16	35,0	22,0
6MJ-10MB	9/16-18	7/8-14	38,0	25,0
6MJ-12MB	9/16-18	1 1/16-12	41,0	32,0
8MJ-8MB	3/4-16	3/4-16	38,0	22,0
8MJ-6MB	3/4-16	9/16-18	37,0	19,0
8MJ-10MB	3/4-16	7/8-14	41,0	27,0
8MJ-12MB	3/4-16	1 1/16-12	45,0	32,0
10MJ-10MB	7/8-14	7/8-14	43,0	27,0
10MJ-8MB	7/8-14	3/4-16	42,0	24,0
10MJ-12MB	7/8-14	1 1/16-12	47,0	32,0
12MJ-12MB	1 1/16-12	1 1/16-12	50,0	32,0
12MJ-8MB	1 1/16-12	3/4-14	49,0	29,0
16MJ-16MB	1 5/16-12	1 5/16-12	52,0	38,0
16MJ-12MB	1 5/16-12	1 1/16-12	52,0	36,0
16MJ-20MB	1 5/16-12	1 5/8-12	54,0	48,0

JIC ADAPTORS ISO 8434-2 & SAE J514

JIC MJ-MBA90

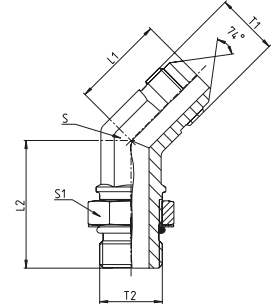
JIC 37° Male / Adjustable male UN/UNF SAE with O-ring 90° elbow







						
REF.	T1	T2	L1	L2	S Flats	S1
JIC	JIC	SAE O	mm	mm	mm	mm
4MJ-4MBA90	7/16-20	7/16-20	23,0	26,0	11,0	14,0
4MJ-6MBA90	7/16-20	9/16-18	27,0	32,0	14,0	17,0
5MJ-5MBA90	1/2-20	1/2-20	24,0	29,0	13,0	17,0
6MJ-6MBA90	9/16-18	9/16-18	27,0	32,0	14,0	17,0
6MJ-4MBA90	9/16-18	7/16-20	27,0	30,0	14,0	14,0
6MJ-8MBA90	9/16-18	3/4-16	29,0	37,0	19,0	22,0
8MJ-8MBA90	3/4-16	3/4-16	32,0	37,0	19,0	22,0
8MJ-10MBA90	3/4-16	7/8-14	34,0	43,0	22,0	27,0
10MJ-10MBA90	7/8-14	7/8-14	37,0	43,0	22,0	27,0
10MJ-12MBA90	7/8-14	1 1/16-12	39,0	49,0	27,0	32,0
12MJ-12MBA90	1 1/16-12	1 1/16-12	42,0	49,0	27,0	32,0
16MJ-16MBA90	1 5/16-12	1 5/16-12	46,0	52,0	33,0	41,0

JIC MJ-MBA45

JIC 37° Male / Adjustable male UN/UNF SAE
with O-ring 45° elbow

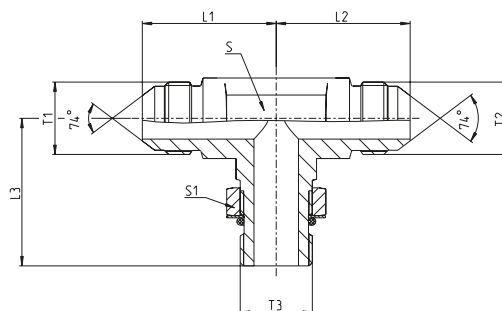






						
REF.	T1	T2	L1	L2	S Flats	S1
JIC	JIC	SAE O	mm	mm	mm	mm
4MJ-4MBA45	7/16-20	7/16-20	18,0	27,0	11,0	14,0
6MJ-6MBA45	9/16-18	9/16-18	21,0	29,0	14,0	17,0
6MJ-8MBA45	9/16-18	3/4-16	22,0	33,0	19,0	22,0
8MJ-8MBA45	3/4-16	3/4-16	25,0	33,0	19,0	22,0
8MJ-6MBA45	3/4-16	9/16-18	25,0	30,0	19,0	17,0
8MJ-10MBA45	3/4-16	7/8-14	25,0	39,0	22,0	25,0
10MJ-10MBA45	7/8-14	7/8-14	28,0	39,0	22,0	27,0
10MJ-8MBA45	7/8-14	3/4-16	28,0	35,0	22,0	22,0
12MJ-12MBA45	1 1/16-12	1 1/16-12	33,0	44,0	27,0	32,0
16MJ-16MBA45	1 5/16-12	1 5/16-12	37,0	47,0	33,0	38,0

JIC ADAPTORS ISO 8434-2 & SAE J514

JIC MJ-MJ-MBA

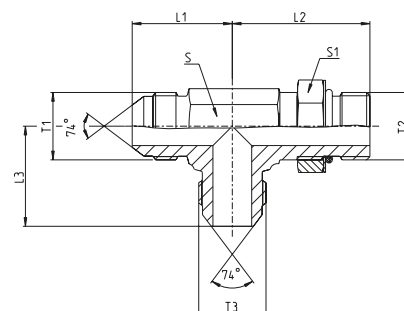
JIC 37° Male / Male / Adjustable male UN/UNF SAE with O-ring "Branch T"







							
REF.	T1	T2	T3	L1 . L2	L3	S Flats	S1
JIC	JIC	JIC	SAE O	mm	mm	mm	mm
4MJ-4MJ-4MBA	7/16-20	7/16-20	7/16-20	23,0	26,0	11,0	14,0
5MJ-5MJ-5MBA	1/2-20	1/2-20	1/2-20	25,0	29,0	14,0	16,0
6MJ-6MJ-6MBA	9/16-18	9/16-18	9/16-18	27,0	32,0	14,0	17,0
8MJ-8MJ-8MBA	3/4-16	3/4-16	3/4-16	22,0	37,0	19,0	22,0
10MJ-10MJ-10MBA	7/8-14	7/8-14	7/8-14	37,0	43,0	22,0	27,0
12MJ-12MJ-12MBA	1 1/16-12	1 1/16-12	1 1/16-12	42,0	49,0	27,0	32,0
16MJ-16MJ-16MBA	1 5/16-12	1 5/16-12	1 5/16-12	46,0	52,0	33,0	27,0

JIC MJ-MBA-MJ

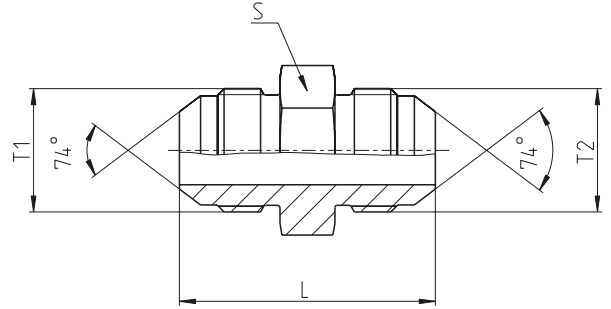
JIC 37° Male / Adjustable male UN/UNF SAE with O-ring / Male "Run T"







							
REF.	T1	T2	T3	L1 . L3	L2	S Flats	S1
JIC	JIC	SAE O	JIC	mm	mm	mm	mm
4MJ-4MBA-4MJ	7/16-20	7/16-20	7/16-20	23,0	26,0	11,0	14,0
5MJ-5MBA-5MJ	1/2-20	1/2-20	1/2-20	25,0	29,0	14,0	16,0
6MJ-6MBA-6MJ	9/16-18	9/16-18	9/16-18	27,0	32,0	14,0	17,0
8MJ-8MBA-8MJ	3/4-16	3/4-16	3/4-16	22,0	37,0	19,0	22,0
10MJ-10MBA-10MJ	7/8-14	7/8-14	7/8-14	37,0	43,0	22,0	27,0
12MJ-12MBA-12MJ	1 1/16-12	1 1/16-12	1 1/16-12	42,0	49,0	27,0	32,0
16MJ-16MBA-16MJ	1 5/16-12	1 5/16-12	1 5/16-12	46,0	52,0	33,0	27,0

JIC MJ-MJ

JIC 37° Male / Male

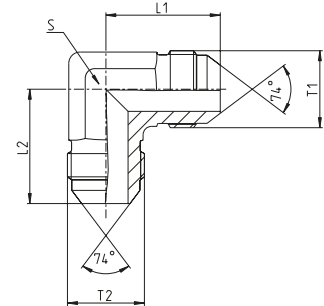






				
REF.	T1	T2	L	S
JIC	JIC	JIC	mm	mm
4MJ-4MJ	7/16-20	7/16-20	35,0	13,0
4MJ-2MJ	7/16-20	5/16-24	32,0	13,0
5MJ-5MJ	1/2-20	1/2-20	35,0	14,0
5MJ-4MJ	1/2-20	7/16-20	35,0	14,0
6MJ-6MJ	9/16-18	9/16-18	36,0	17,0
6MJ-4MJ	9/16-18	7/16-20	36,0	17,0
8MJ-8MJ	3/4-16	3/4-16	41,0	19,0
8MJ-6MJ	3/4-16	9/16-18	39,0	19,0
10MJ-10MJ	7/8-14	7/8-14	48,0	24,0
10MJ-8MJ	7/8-14	3/4-16	45,0	24,0
12MJ-12MJ	1 1/16-12	1 1/16-12	55,0	27,0
16MJ-16MJ	1 5/16-12	1 5/16-12	57,0	36,0

JIC ADAPTORS ISO 8434-2 & SAE J514

JIC MJ-MJ90

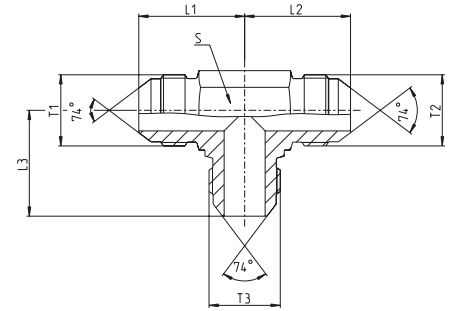
JIC 37° Male / Male 90° elbow







					
REF.	T1	T2	L1	L2	S Flats
JIC	JIC	JIC	mm	mm	mm
4MJ-4MJ90	7/16-20	7/16-20	23,0	23,0	11,0
5MJ-5MJ90	1/2-20	1/2-20	24,0	24,0	13,0
6MJ-6MJ90	9/16-18	9/16-18	27,0	27,0	14,0
6MJ-4MJ90	9/16-18	7/16-20	27,0	27,0	14,0
8MJ-8MJ90	3/4-16	3/4-16	32,0	32,0	19,0
8MJ-6MJ90	3/4-16	9/16-18	32,0	29,0	19,0
10MJ-10MJ90	7/8-14	7/8-14	37,0	37,0	22,0
10MJ-8MJ90	7/8-14	3/4-16	37,0	34,0	22,0
12MJ-12MJ90	1 1/16-12	1 1/16-12	42,0	42,0	27,0
16MJ-16MJ90	1 5/16-12	1 5/16-12	46,0	46,0	33,0

JIC MJ-MJ-MJ

JIC 37° Male / Male / Male "T"

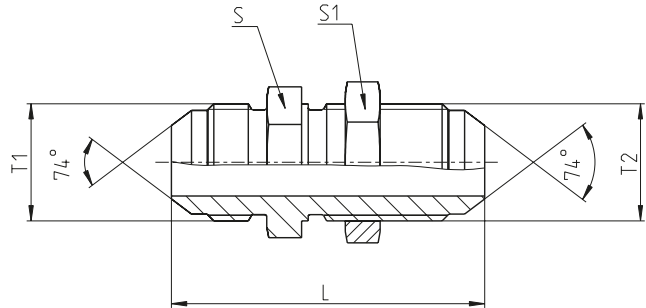






						
REF.	T1	T2	T3	L1 . L2	L3	S Flats
JIC	JIC	JIC	JIC	mm	mm	mm
4MJ-4MJ-4MJ	7/16-20	7/16-20	7/16-20	23,0	23,0	14,0
5MJ-5MJ-5MJ	1/2-20	1/2-20	1/2-20	24,0	24,0	13,0
6MJ-6MJ-6MJ	9/16-18	9/16-18	9/16-18	27,0	27,0	14,0
8MJ-8MJ-8MJ	3/4-16	3/4-16	3/4-16	32,0	32,0	19,0
10MJ-10MJ-10MJ	7/8-14	7/8-14	7/8-14	37,0	37,0	22,0
12MJ-12MJ-12MJ	1 1/16-12	1 1/16-12	1 1/16-12	42,0	42,0	27,0
16MJ-16MJ-16MJ	1 5/16-12	1 5/16-12	1 5/16-12	46,0	46,0	33,0

JIC ADAPTORS ISO 8434-2 & SAE J514

JIC MJ-MJBKHD

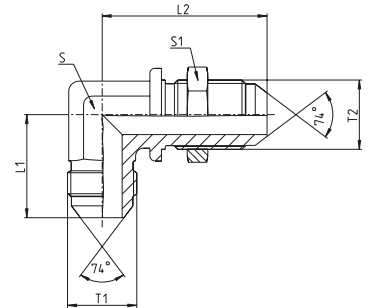
JIC 37° Male / Male bulkhead union
with lock nut







				
REF.	T1	T2	L	S . S1
JIC	JIC	JIC	mm	mm
4MJ-4MJBKHD	7/16-20	7/16-20	53,0	17,0
5MJ-5MJBKHD	1/2-20	1/2-20	53,0	19,0
6MJ-6MJBKHD	9/16-18	9/16-18	55,0	22,0
8MJ-8MJBKHD	3/4-16	3/4-16	62,0	24,0
10MJ-10MJBKHD	7/8-14	7/8-14	70,0	30,0
12MJ-12MJBKHD	1 1/16-12	1 1/16-12	79,0	36,0
16MJ-16MJBKHD	1 5/16-12	1 5/16-12	80,0	41,0

JIC MJ-MJBKHD90

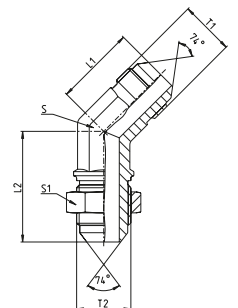
JIC 37° Male / Male bulkhead 90° union elbow with lock nut







						
REF.	T1	T2	L1	L2	S Flats	S1
JIC	JIC	JIC	mm	mm	mm	mm
4MJ-4MJBKHD90	7/16-20	7/16-20	25,0	40,0	11,0	17,0
5MJ-5MJBKHD90	1/2-20	1/2-20	27,0	44,0	13,0	19,0
6MJ-6MJBKHD90	9/16-18	9/16-18	28,0	46,0	14,0	22,0
8MJ-8MJBKHD90	3/4-16	3/4-16	36,0	54,0	19,0	24,0
10MJ-10MJBKHD90	7/8-14	7/8-14	40,0	61,0	22,0	30,0
12MJ-12MJBKHD90	1 1/16-12	1 1/16-12	45,0	68,0	27,0	36,0
16MJ-16MJBKHD90	1 5/16-12	1 5/16-12	49,0	71,0	33,0	41,0

JIC MJ-MJBKHD45

JIC 37° Male / Male bulkhead 45° union elbow with lock nut

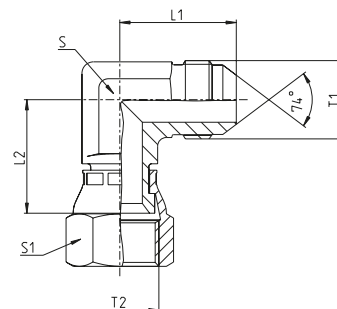






						
REF.	T1	T2	L1	L2	S Flats	S1
JIC	JIC	JIC	mm	mm	mm	mm
4MJ-4MJBKHD45	7/16-20	7/16-20	18,0	39,0	11,0	17,0
5MJ-5MJBKHD45	1/2-20	1/2-20	20,0	42,0	14,0	19,0
6MJ-6MJBKHD45	9/16-18	9/16-18	21,0	42,0	14,0	22,0
8MJ-8MJBKHD45	3/4-16	3/4-16	25,0	49,0	19,0	24,0
10MJ-10MJBKHD45	7/8-14	7/8-14	28,0	55,0	22,0	30,0
12MJ-12MJBKHD45	1 1/16-12	1 1/16-12	33,0	62,0	27,0	36,0
16MJ-16MJBKHD45	1 5/16-12	1 5/16-12	37,0	65,0	33,0	41,0

JIC ADAPTORS ISO 8434-2 & SAE J514

JIC MJ-FJX90

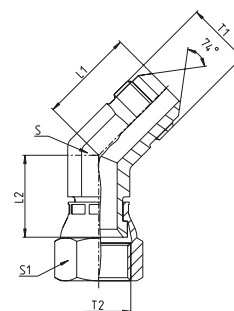
JIC 37° Male / Female swivel 90° elbow







						
REF.	T1	T2	L1	L2	S Flats	S1
JIC	JIC	JIC F	mm	mm	mm	mm
4MJ-4FJX90	7/16-20	7/16-20	23,0	17,0	11,0	14,0
5MJ-5FJX90	1/2-20	1/2-20	24,0	17,0	13,0	17,0
6MJ-6FJX90	9/16-18	9/16-18	27,0	22,0	14,0	19,0
8MJ-8FJX90	3/4-16	3/4-16	32,0	24,0	19,0	22,0
10MJ-10FJX90	7/8-14	7/8-14	37,0	28,0	22,0	27,0
12MJ-12FJX90	1 1/16-12	1 1/16-12	42,0	30,0	27,0	32,0
14MJ-14FJX90	1 3/16-12	1 3/16-12	46,0	34,0	33,0	35,0
16MJ-16FJX90	1 5/16-12	1 5/16-12	46,0	36,0	33,0	38,0

JIC MJ-FJX45

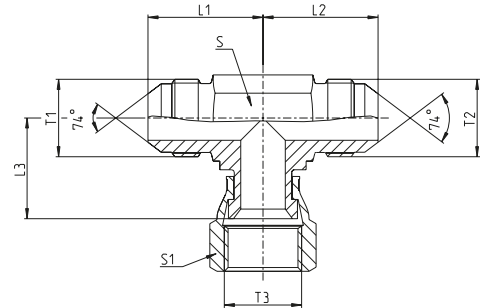
JIC 37° Male / Female swivel 45° elbow







						
REF.	T1	T2	L1	L2	S Flats	S1
JIC	JIC	JIC F	mm	mm	mm	mm
4MJ-4FJX45	7/16-20	7/16-20	18,0	15,0	11,0	14,0
5MJ-5FJX45	1/2-20	1/2-20	20,0	16,0	14,0	17,0
6MJ-6FJX45	9/16-18	9/16-18	21,0	19,0	14,0	19,0
8MJ-8FJX45	3/4-16	3/4-16	25,0	22,0	19,0	22,0
10MJ-10FJX45	7/8-14	7/8-14	28,0	24,0	22,0	27,0
12MJ-12FJX45	1 1/16-12	1 1/16-12	33,0	24,0	27,0	32,0
16MJ-16FJX45	1 5/16-12	1 5/16-12	37,0	29,0	33,0	38,0

JIC MJ-MJ-FJX

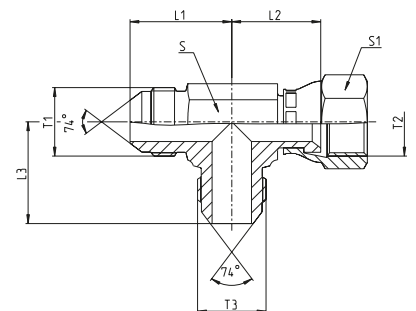
JIC 37° Male / Male / Female swivel "Branch T"







							
REF.	T1	T2	T3	L1 . L2	L3	S Flats	S1
JIC	JIC	JIC	JIC F	mm	mm	mm	mm
4MJ-4MJ-4FJX	7/16-20	7/16-20	7/16-20	23,0	17,0	11,0	14,0
5MJ-5MJ-5FJX	1/2-20	1/2-20	1/2-20	24,0	17,0	13,0	17,0
6MJ-6MJ-6FJX	9/16-18	9/16-18	9/16-18	27,0	22,0	14,0	19,0
8MJ-8MJ-8FJX	3/4-16	3/4-16	3/4-16	32,0	24,0	19,0	22,0
10MJ-10MJ-10FJX	7/8-14	7/8-14	7/8-14	37,0	28,0	22,0	27,0
12MJ-12MJ-12FJX	1 1/16-12	1 1/16-12	1 1/16-12	42,0	38,0	27,0	32,0
16MJ-16MJ-16FJX	1 5/16-12	1 5/16-12	1 5/16-12	46,0	36,0	33,0	38,0

JIC MJ-FJX-MJ

JIC 37° Male / Female swivel / Male "Run T"

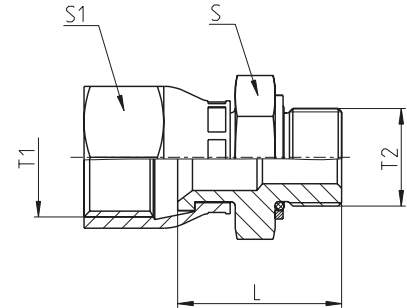







							
REF.	T1	T2	T3	L1 . L3	L2	S Flats	S1
JIC	JIC	JIC F	JIC	mm	mm	mm	mm
4MJ-4FJX-4MJ	7/16-20	7/16-20	7/16-20	23,0	17,0	11,0	14,0
5MJ-5FJX-5MJ	1/2-20	1/2-20	1/2-20	24,0	17,0	13,0	17,0
6MJ-6FJX-6MJ	9/16-18	9/16-18	9/16-18	27,0	22,0	14,0	19,0
8MJ-8FJX-8MJ	3/4-16	3/4-16	3/4-16	32,0	24,0	19,0	22,0
10MJ-10FJX-10MJ	7/8-14	7/8-14	7/8-14	37,0	28,0	22,0	27,0
12MJ-12FJX-12MJ	1 1/16-12	1 1/16-12	1 1/16-12	42,0	38,0	27,0	32,0
14MJ-14FJX-14MJ	1 3/16-12	1 3/16-12	1 3/16-12	46,0	34,0	33,0	35,0
16MJ-16FJX-16MJ	1 5/16-12	1 5/16-12	1 5/16-12	46,0	36,0	33,0	38,0

JIC ADAPTORS ISO 8434-2 & SAE J514

JIC FJX-MBSPCOR

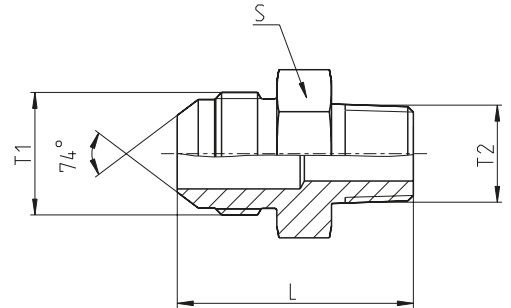
JIC 37° Female swivel / Male BSPP with O-ring and retaining ring







					
REF.	T1	T2	L	S	S1 Swivel
JIC	JIC F	BSPP	mm	mm	mm
4FJX-2MBSPCOR	7/16-20	1/8-28	24,6	17,0	14,0
4FJX-4MBSPCOR	7/16-20	1/4-19	27,2	19,0	14,0
5FJX-2MBSPCOR	1/2-20	1/8-28	24,6	16,0	17,0
6FJX-4MBSPCOR	9/16-18	1/4-19	29,2	19,0	19,0
6FJX-6MBSPCOR	9/16-18	3/8-19	30,2	22,0	19,0
8FJX-6MBSPCOR	3/4-16	3/8-19	32,2	22,0	22,0
8FJX-8MBSPCOR	3/4-16	1/2-14	35,5	30,0	22,0
10FJX-8MBSPCOR	7/8-14	1/2-14	38,5	30,0	27,0
12FJX-12MBSPCOR	1 1/16-12	3/4-14	40,5	36,0	32,0
16FJX-16MBSPCOR	1 5/16-12	1-11	46,6	46,0	38,0
20FJX-20MBSPCOR	1 5/8-12	1 1/4-11	50,6	50,0	50,0
24FJX-24MBSPCOR	1 7/8-12	1 1/2-11	54,6	55,0	60,0

JIC MJ-MP

JIC 37° Male / Male NPT

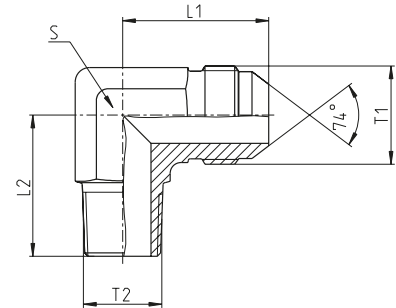






				
REF.	T1	T2	L	S
JIC	JIC	NPT	mm	mm
4MJ-2MP	7/16-20	Z1/8-27	31,0	16,0
4MJ-4MP	7/16-20	Z1/4-18	36,0	14,0
4MJ-6MP	7/16-20	Z3/8-18	37,0	19,0
5MJ-2MP	1/2-20	Z1/8-27	31,0	14,0
5MJ-4MP	1/2-20	Z1/4-18	36,0	14,0
6MJ-4MP	9/16-18	Z1/4-18	36,0	17,0
6MJ-6MP	9/16-18	Z3/8-18	36,0	19,0
6MJ-8MP	9/16-18	Z1/2-14	43,0	22,0
8MJ-6MP	3/4-16	Z3/8-18	39,0	19,0
8MJ-8MP	3/4-16	Z1/2-14	46,0	22,0
8MJ-12MP	3/4-16	Z3/4-14	47,0	27,0
10MJ-8MP	7/8-14	Z1/2-14	48,0	24,0
10MJ-6MP	7/8-14	Z3/8-18	43,0	24,0
10MJ-12MP	7/8-14	Z3/4-14	50,0	27,0
12MJ-12MP	1 1/16-12	Z3/4-14	52,0	27,0
16MJ-16MP	1 5/16-12	Z1-11.5	57,0	36,0

JIC ADAPTORS ISO 8434-2 & SAE J514

JIC MJ-MP90

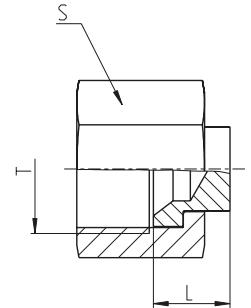
JIC 37° Male / Male NPT 90° elbow







					
REF.	T1	T2	L1	L2	S Flats
JIC	JIC	NPT	mm	mm	mm
4MJ-2MP90	7/16-20	Z1/8-27	23,0	20,0	11,0
4MJ-4MP90	7/16-20	Z1/4-18	27,0	28,0	14,0
6MJ-4MP90	9/16-18	Z1/4-18	27,0	28,0	14,0
6MJ-6MP90	9/16-18	Z3/8-18	29,0	31,0	19,0
6MJ-8MP90	9/16-18	Z1/2-14	31,0	37,0	22,0
8MJ-8MP90	3/4-16	Z1/2-14	34,0	37,0	22,0
10MJ-8MP90	7/8-14	Z1/2-14	37,0	37,0	22,0
12MJ-12MP90	1 1/16-12	Z3/4-14	42,0	40,0	27,0
16MJ-16MP90	1 5/16-12	Z1-11.5	46,0	50,0	33,0

JIC FJ CAP

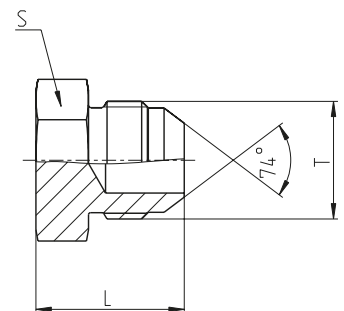
JIC 37° Female swivel cap







			
REF.	T	L	S
JIC	JIC	mm	mm
4FJ-CAP	7/16-20	9,0	14,0
5FJ-CAP	1/2-20	10,0	17,0
6FJ-CAP	9/16-18	12,0	19,0
8FJ-CAP	3/4-16	14,0	22,0
10FJ-CAP	7/8-14	14,0	27,0
12FJ-CAP	1 1/16-12	17,0	32,0
16FJ-CAP	1 5/16-12	16,0	41,0

JIC MJ PLUG

JIC 37° Male plug

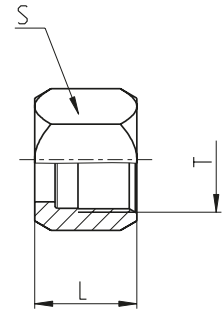






			
REF.	T	L	S
JIC	JIC	mm	mm
4MJ-PLUG	7/16-20	20,0	13,0
5MJ-PLUG	1/2-20	20,0	14,0
6MJ-PLUG	9/16-18	21,0	17,0
8MJ-PLUG	3/4-16	24,0	19,0
10MJ-PLUG	7/8-14	28,0	24,0
12MJ-PLUG	1 1/16-12	33,0	27,0
16MJ-PLUG	1 5/16-12	34,0	36,0

JIC ADAPTORS ISO 8434-2 & SAE J514

JIC FJ NUT

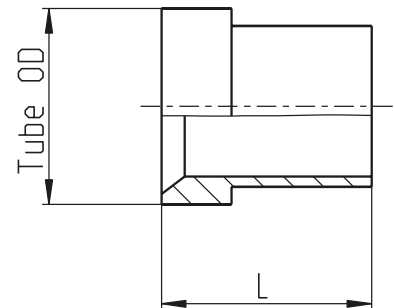
JIC 37° Female nut





			
REF.	T	L	S
JIC	JIC	mm	mm
4FJ-NUT	7/16-20	15,8	14,0
5FJ-NUT	1/2-20	17,3	17,0
6FJ-NUT	9/16-18	18,5	19,0
8FJ-NUT	3/4-16	21,6	22,0
10FJ-NUT	7/8-14	24,9	27,0
12FJ-NUT	1 1/16-12	26,2	32,0
16FJ-NUT	1 5/16-12	28,7	41,0
20FJ-NUT	1 5/8-12	31,2	50,0
24FJ-NUT	1 7/8-12	36,1	60,0

JIC TS METRIC

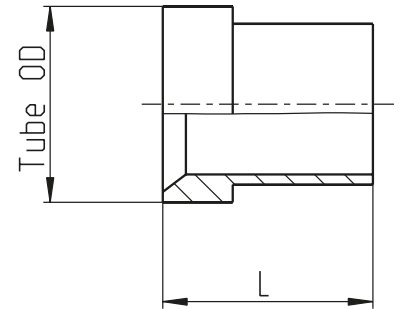
JIC 37° Tube end sleeve for metric tubes





		
REF.	Tube OD	L
JIC	mm	mm
6TS	6	10,4
8TS	8	11,2
10TS	10	12,7
12TS	12	14,2
16TS	16	16,8
20TS	20	17,3
25TS	25	19,8
30TS	30	23,1
38TS	38	28,4

JIC TS IMPERIAL

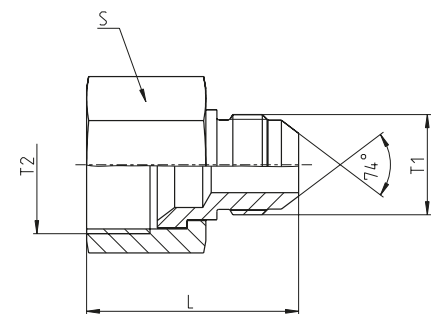
JIC 37° Tube end sleeve for imperial tubes







			
REF.	Tube OD	L	
JIC	inches	mm	
TS04	1/4	10,4	
TS05	5/16	11,2	
TS06	3/8	12,7	
TS08	1/2	14,2	
TS10	5/8	16,8	
TS12	3/4	17,3	
TS16	1	19,8	

JIC FJX-MJ

JIC 37° Female swivel / Male tube reducer



							
REF.	T1	T2	L		S		
JIC	JIC F	JIC	mm		mm		
6FJX-4MJ	9/16-18	7/16-20	23,0		19,0		
8FJX-6MJ	3/4-16	9/16-18	23,0		22,0		
10FJX-4MJ	7/8-14	7/16-20	26,0		27,0		
10FJX-6MJ	7/8-14	9/16-18	29,0		27,0		
10FJX-8MJ	7/8-14	3/4-16	22,0		27,0		
12FJX-4MJ	1 1/16-12	7/16-20	28,0		32,0		
12FJX-8MJ	1 1/16-12	3/4-16	27,0		32,0		
12FJX-10MJ	1 1/16-12	7/8-14	26,0		32,0		
16FJX-6MJ	1 5/16-12	9/16-18	31,0		41,0		
16FJX-10MJ	1 5/16-12	7/8-14	30,0		41,0		
16FJX-12MJ	1 5/16-12	1 1/16-12	35,0		41,0		
24FJX-16MJ	1 7/8-12	1 5/16-12	41,0		60,0		

HYDRAULIC ADAPTORS



ENGINEERING AND TECHNICAL DATA





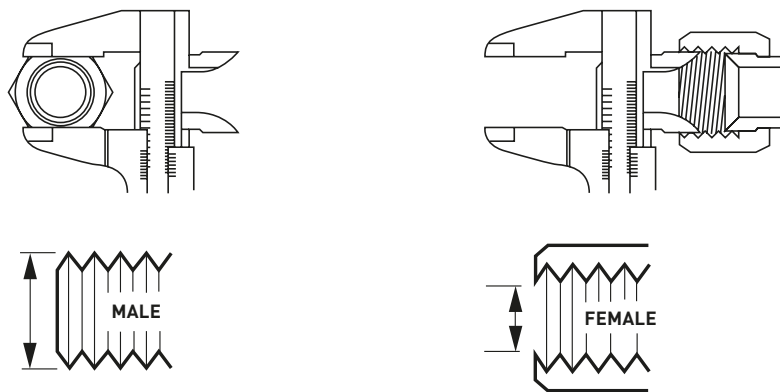
HYDRAULIC ADAPTORS

ADAPTOR THREAD IDENTIFICATION

Following the steps below will enable you to identify an unknown adaptor thread in a short period of time.

Step 1

Measure diameter of thread, outside of male threads and inside of female threads.









Step 2

Refer to the "Thread size identification guide" (see page 68) for details of adaptor type and size.

Ø							
9.1							
9.9							
10.3					1/8"-27 NPTF	2MP	
10.5							
11.0			7/16"-20 UNF 7/16"-20 UNF	4MJ 4MS	7/16"-24 UNS 7/16"-20 UNF	4MX 4MFA	7/16"-20 UNF 4MB
11.5							
11.7							
11.9							
12.0					M12 x 1.5	6MDL	
12.5			1/2"-20 UNF	5MJ	1/2"-20 UNF 1/2"-20 UNF	5MX 5MFA	1/2"-20 UNF 5MB
12.9							
13.0					1/4"-19 BSP	4MBSPP	
13.6	1/4"-19 BSP	4MBSPT			1/4"-18 NPTF	4MP	
13.9					M14 x 1.5	8MDL	
14.0							
14.1			9/16"-18 UNF	6MJ	9/16"-18 UNF	6MFA	9/16"-18 UNF 9/16"-18 UNF 6MB 4MFFOR 6MBX
14.5							
15.2							
15.5							
15.7			5/8"-18 UNF	6MS	5/8"-18 UNF	6MX	
15.9							
16.0					M16 x 1.5 M16 x 1.5	8MCH 10MDL	
16.5					3/8"-19 BSP	6MBSPP	

e.g. If outside diameter is 11.0 mm male would be 4MJ.

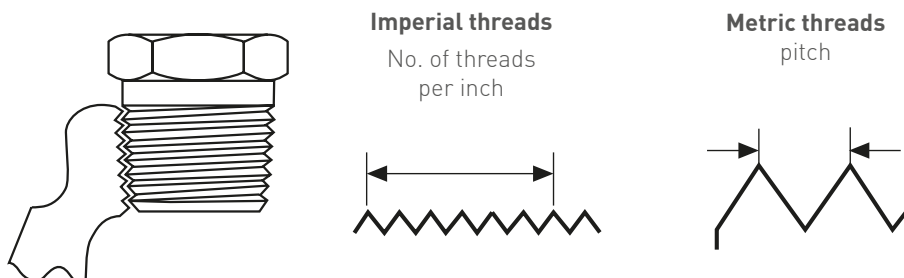
						
1/4"-18 NPSM	4FPX					9.1
		7/16"-20 UNF 7/16"-20 UNF	4FJX 4FSX			9.9
M12 x 1.5 M12 x 1.5	4FDLORX 6FDLX					10.3
						10.5
						11.0
		1/2"-20 UNF 1/2"-20 UNF	5FJX 5FSX			11.5
1/4"-19 BSP	4FBSPORX	1/4"-19 BSP	4FJ5X			11.7
3/8"-18 NPSM	6FPX					11.9
						12.0
M14 x 1.5 M14 x 1.5 M14 x 1.5	8FDLX 4FDHORX 8FDLORX	M14 x 1.5	4FKX			12.5
		9/16"-18 UNF	6FJX	9/16"-18 UNF	4FFORX	12.9
						13.0
						13.5
						13.9
						14.0
						14.1
M16 x 1.5 M16 x 1.5 M16 x 1.5 M16 x 1.5	10FDLORX 8FDHORX 8FDHX 10FDLX					14.5
3/8"-19 BSP	4FBSPORX	3/8"-19 BSP	4FJ5X	3/8"-19 BSP	4FBFFX	15.2
1/2"-14 NPSM	8FPX					15.5
		5/8"-18 UNF	6FSX			15.7
				11/16"-16 UN	6FFORX	15.9
						16.0
M18 x 1.5 M18 x 1.5 M18 x 1.5 M18 x 1.5	10FDHORX 12FDLORX 10FDHX 12FDLX	M18 x 1.5	4FKX			16.5

e.g. If inside diameter is 9.9 mm female would be 4FJX.

N.B. On MP/MB and MBSBPT/MT taper threads the maximum \emptyset is given.

Step 3







Check the adaptor thread. With a thread gauge you can check the number of threads per inch (for imperial adaptors) or the pitch of the threads (for metric adaptors).



N.B. Coupling thread identification kits containing reference charts, vernier, seat gauges and thread gauges are available. Please ask for details.

HYDRAULIC ADAPTORS

THREAD SIZE IDENTIFICATION GUIDE







								
9.1								
9.9								
10.3				1/8"-27 NPTF	2MP			
10.5								
11.0			7/16"-20 UNF 7/16"-20 UNF	4MJ 4MS	7/16"-24 UNS 7/16"-20 UNF	4MIX 4MFA	7/16"-20 UNF	4MB
11.5								
11.7								
11.9								
12.0					M12 x 1.5	6MDL		
12.5			1/2"-20 UNF	5MJ	1/2"-20 UNF 1/2"-20 UNF	5MIX 5MFA	1/2"-20 UNF	5MB
12.9								
13.0					1/4"-19 BSP	4MBSPP		
13.6	1/4"-19 BSP	4MBSPT			1/4"-18 NPTF	4MP		
13.9					M14 x 1.5	8MDL		
14.0								
14.1			9/16"-18 UNF	6MJ	9/16"-18 UNF	6MFA	9/16"-18 UNF 9/16"-18 UNF 9/16"-18 UNF	6MB 4MFFOR 6MBX
14.5								
15.2								
15.5								
15.7			5/8"-18 UNF	6MS	5/8"-18 UNF	6MIX		
15.9								
16.0					M16 x 1.5 M16 x 1.5 3/8"-19 BSP	8MDH 10MDL 6MBSPP		
16.5								
17.1	3/8"-19 BSP	6MBSPT						
17.3					3/8"-18 NPTF 11/16"-18 UNS	6MP 7MIX	11/16"-16 UN	6MFFOR
17.5								
18.0					M18 x 1.5 M18 x 1.5	10MDH 12MDL		
18.5								
18.9			3/4"-16 UNF 3/4"-16 UNF	8MJ 8MS	3/4"-18 UNS 3/4"-16 UNF	8MIX 8MFA	3/4"-16 UNF 3/4"-16 UNF	8MB 8MBX
19.1								
20.0					M20 x 1.5 M20 x 1.5	12MDH 13MFG		
20.5								
20.8					1/2"-14 BSP	8MBSPP	1/2"-14 BSP	8MBFF
20.9								
21.5	1/2"-14 BSP	8MBSPT						
21.6					1/2"-14 NPTF	8MP		
22.0					M22 x 1.5 M22 x 1.5	14MDH 15MDL	13/16"-16 UN	8MFFOR
22.1			7/8"-14 UNF 7/8"-14 UNF	10MJ 10MS	7/8"-14 UNF	10MFA	7/8"-14 UNF 7/8"-14 UNF	10MB 10MBX
22.5								
22.8					5/8"-14 BSP	10MBSPP		
23.4	5/8"-14 BSP	10MBSPT						
23.6								
24.0					M24 x 1.5 M24 x 1.5	16MDH 17MFG		
24.4								
24.5								
25.0								
25.2								
25.3							1"-14 UNS	10MFFOR



	1/4"-18 NPSM	4FPX					9.1
			7/16"-20 UNF 7/16"-20 UNF	4FJX 4FSX			9.9
							10.3
	M12 x 1.5 M12 x 1.5	6FDLORX 6FDLX					10.5
							11.0
			1/2"-20 UNF 1/2"-20 UNF	5FJX 5FSX			11.5
	1/4"-19 BSP 3/8"-18 NPSM	4FBSPORX 6FPX	1/4"-19 BSP	4FJISX			11.7
							11.9
							12.0
	M14 x 1.5 M14 x 1.5 M14 x 1.5	8FDLX 6FDHORX 8FDLORX	M14 x 1.5	4FKX			12.5
			9/16"-18 UNF	6FJX	9/16"-18 UNF	4FFORX	12.9
							13.0
							13.6
							13.9
							14.0
							14.1
	M16 x 1.5 M16 x 1.5 M16 x 1.5 M16 x 1.5	10FDLORX 8FDHORX 8FDHX 10FDLX					14.5
	3/8"-19 BSP 1/2"-14 NPSM	6FBSPORX 8FPX	3/8"-19 BSP	6FJISX	3/8"-19 BSP	6FBFFX	15.2
							15.5
			5/8"-18 UNF	6FSX			15.7
					11/16"-16 UN	6FFORX	15.9
							16.0
	M18 x 1.5 M18 x 1.5 M18 x 1.5 M18 x 1.5	10FDHORX 12FDLORX 10FDHX 12FDLX	M18 x 1.5	6FKX			16.5
							17.1
							17.3
			3/4"-16 UNF 3/4"-16 UNF	8FSX 8FJX			17.5
							18.0
	M20 x 1.5 M20 x 1.5 M20 x 1.5 M20 x 1.5	12FDHORX 14FDLORX 12FDHX 13FFGX					18.5
	1/2"-14 BSP	8FBSPORX	1/2"-14 BSP	8FJISX	1/2"-14 BSP	8FBFFX	18.9
	3/4"-14 NPSM	12FPX			13/16"-16 UN	8FFORX	19.1
							20.0
	M22 x 1.5 M22 x 1.5 M22 x 1.5 M22 x 1.5	14FDHORX 15FDLORX 14FDHX 15FDLX	7/8"-14 UNF M22 x 1.5	10FJX 8FKX			20.5
			7/8"-14 UNF	10FSX			20.8
	5/8"-14 BSP	10FBSPORX			5/8"-14 BSP	10FBFFX	20.9
							21.5
							21.6
							22.0
							22.1
	M24 x 1.5 M24 x 1.5 M24 x 1.5	17FFGX 16FDHORX 16FDHX	M24 x 1.5	10FKX			22.5
							22.8
							23.4
					1"-14 UNS	10FFORX	23.6
							24.0
	3/4"-14 BSP	12FBSPORX	3/4"-14 BSP	12FJISX	3/4"-14 BSP	12FBFFX	24.4
	M26 x 1.5 M26 x 1.5	18FDLORX 18FDLX					24.5
			1.1/16"-12 UN	12FJX			25.0
			1.1/16"-14 UNS	12FSX			25.2
							25.3

HYDRAULIC ADAPTORS

THREAD SIZE IDENTIFICATION GUIDE

								
25.4								
26.0								
26.3				M26 x 1.5	18MDL			
26.9				3/4"-14 BSP	12MBSPP			
27.0	3/4"-14 BSP	12MBSPT	1.1/16"-12 UN 1.1/16"-14 UNS	12MJ 12 MS	1.1/16"-12 UN 3/4"-14 NPTF	12MFA 12MP	1.1/16"-12 UN 1.1/16"-12 UN	12MB 12MBX
28.0								
28.2								
28.5								
30.0			1.3/16"-12 UN	14MJ	M30 x 1.5 M30 x 2.0 M30 x 2.0	21MFG 20MDH 22MDL	1.3/16"-12 UN 1.3/16"-12 UN	12MFFOR 14MB
30.2								
30.6								
30.7								
31.3								
31.5								
31.8								
33.1					1"-11 BSP	16MBSPP		
33.2			1.5/16"-12 UN	16MJ	1.5/16"-12 UN	16MFA	1.5/16"-12 UN	16MB
33.7					1"-11.5 NPTF	16MP		
33.9	1"-11 BSP	16MBSPT						
34.0								
34.2								
34.4								
34.5								
36.0					M36 x 1.5 M36 x 2.0 M36 x 2.0	27MFG 25MDH 28MDL		
36.3							1.7/16"-12 UN	16MFFOR
38.1								
39.2								
39.3								
40.5								
40.7								
41.2			1.5/8"-12 UN	20MJ			1.5/8"-12 UN	20MB
41.3								
41.4								
41.8								
42.0					1.1/4"-11 BSP	20MBSPP		
42.5					M42 x 2.0	30MDH		
42.6					1.1/4"-11.5 NPTF	20MP	1.11/16"-12 UN	20MFFOR
43.0								
43.5								
44.5								
45.0					M45 x 1.5 M45 x 2.0	34MFG 35MDL		
45.2								
45.5								
47.5			1.7/8"-12 UN	24MJ				
47.6								
47.7					1.1/2"-11 BSP	24MBSPP/24MU		
48.6					1.1/2"-11.5 NPTF	24MP/24MB		
48.7								
50.0								
50.8								
52.0					M52 x 1.5 M52 x 2.0 M52 x 2.0	42MFG 38MDH 42MZ52B		
54.0								
59.5					2"-11 BSP	32MU		
60.3								
60.5	2"-11 BSP	32MT			2"-11.5 NPTF	32MP/32MB		
60.7								
61.4								
63.3			2.1/2"-12 UN	32MJ				
63.5								
71.4								
79.4								
79.5								



	M27 x 1.5	20RU27A						25.4	
								26.0	
								26.3	
								26.9	
								27.0	
	M30 x 2.0 M30 x 2.0 M30 x 2.0 M30 x 2.0	20FDHORX 22FDLORX 20FDHX 22FDLX			13/16"-16 UN	12FFORX		28.0	
			1.3/16"-12 UN	14FJX				28.2	
	M30 x 1.5	21FFGX	M30 x 1.5	12FKX				28.5	
								30.0	
	1"-11 BSP 1"-11.5 NPSM	16FBSPORX 16FPX	1"-11 BSP	16FJXS	1"-11 BSP	16FBFFX	1/2" - CODE 61	8FL	30.2
								30.6	
			1.5/16"-12 UN	16FJX				30.7	
			M33 x 1.5	16FKX				31.3	
							1/2" - CODE 62	8FLH	31.5
								31.8	
								33.1	
								33.2	
								33.7	
								33.9	
	M36 x 2.0 M36 x 2.0 M36 x 2.0	25FDHORX 28FDLORX 28FDLX					5/8" - KOMATSU	10FLK	34.0
					1.7/16"-12 UN	16FFORX			34.2
									34.4
	M36 x 1.5	27FFGX	M36 x 1.5	20FKX					34.5
									36.0
									36.3
			1.5/8"-12 UN	20FJX			3/4" - CODE 61	12FL	38.1
	1"1/4"-11 BSP	20FBSPORX							39.2
									39.3
					1.11/16"-12 UN	20FFORX			40.5
									40.7
							3/4" - CODE 62	12FLH	41.2
							3/4" - CAT	12FLC	41.3
									41.4
	M42 x 2.0	30FDHORX							41.8
									42.0
									42.5
									42.6
	M45 x 2.0 M45 x 1.5	35FDLORX 34FFGX							43.0
							1" - CODE 61	16FL	43.5
									44.5
									45.0
	1.1/2" -11 BSP	24FBSPORX							45.2
			1.7/8"-12 UN	24FJX/24NJ					45.5
									47.5
							1" - CODE 62	16FLH	47.6
							1" - CAT	16FLC	47.7
									48.6
					2"-12 UN	24FFORX/24FF			48.7
	M52 x 2.0 M52 x 1.5 M52 x 1.5	38FDHORX 42R052A 42FFGX							50.0
							1.1/4" - CODE 61	20FL	50.8
									52.0
							1.1/4" - CAT	20FLC	54.0
	2"-11 BSP	32NU					1.1/4" - CAT	20FLH	54.0
							1.1/2" - CODE 61	24FL/24PA	59.5
									60.3
									60.5
									60.7
			2.1/2"-12 UN	32FJX/32NJ					61.4
									63.3
							1.1/2" - CAT	24FLC	63.5
							1.1/2" - CODE 62	24FLH	63.5
							2" - CODE 61	32FL/32PA	71.4
							2" - CODE 62	32FLH	79.4
							2" - CAT	32FLC	79.5